

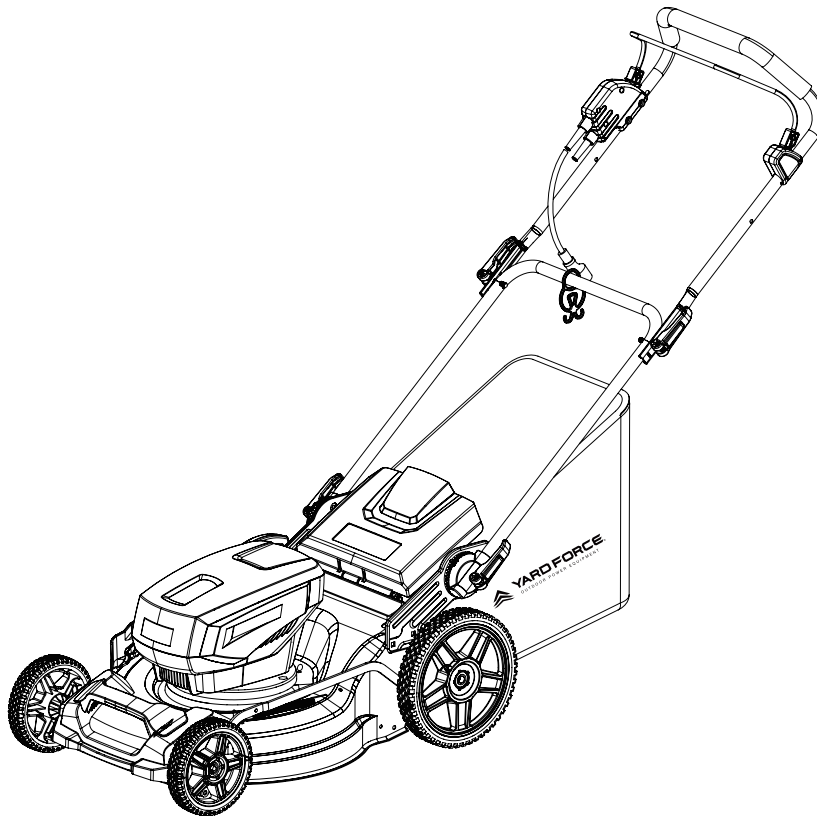


# YARD FORCE®

OUTDOOR POWER EQUIPMENT

YF1519-3N1

## 15 AMP LAWN MOWER OWNER'S MANUAL



*Our Customer Service staff is ready to provide assistance.*

*In the case of a damaged or missing part, most replacement parts ship directly from Merotec USA in Atlanta or from one of our service partners in the US.*

*For immediate help with assembly, or for additional product information, email [support@MerotecUSA.com](mailto:support@MerotecUSA.com) or call 866-902-9690 M-F 8:30am – 5:00pm ET. More information can be found on [www.YardForceUSA.com](http://www.YardForceUSA.com).*



### **SAVE THIS MANUAL FOR REFERENCE**



*You will need this manual for safety instructions, operating procedures, and Warranty. The original sales receipt is required for warranty service.*

# YARD FORCE

YF1519-3N1

Original Instructions

## TABLE OF CONTENTS

Safety Instructions.....	3
Description of Symbols.....	9
Parts List.....	10
Product Specifications.....	11
Assembly.....	12
Operation.....	13
Maintenance and Storage.....	18
Troubleshooting.....	19
Warranty.....	20

# SAFETY INSTRUCTIONS

## READ ALL INSTRUCTIONS



**WARNING!** When using electric lawn mowers, basic safety precautions should always be followed to reduce the risk of fire, electric shock, and personal injury, including the following:



**WARNING!** Risk of injury could occur if the lawn mower is operated without the catcher assembly attached.



**WARNING!** The use of any other accessory or attachment might increase the risk of injury.

## 1. FOR ALL DOUBLE-INSULATED LAWN MOWERS

1. Replacement Parts. When servicing, use only manufacturer approved replacement parts.
2. Polarized Plugs.

To reduce the risk of electric shock, this blower vac has a polarized plug (one prong is wider than the other) and will require the use of a polarized extension cord. The blower vac plug will fit into a polarized extension cord only one way. If the plug does not fit fully into the extension cord, reverse the plug. If the plug still does not fit, obtain a correct polarized extension cord. A polarized extension cord will require the use of a polarized wall outlet. This plug will fit into the polarized wall outlet only one way. If the plug does not fit fully into the wall outlet, reverse the plug. If the plug still does not fit, contact a qualified electrician to install the proper wall outlet. Do not change the equipment plug, extension cord receptacle, or extension cord plug in any way.

## 2. FOR ALL LAWN MOWERS

1. Avoid dangerous environments - Don't use lawn mowers in damp or wet locations.
2. Don't use in rain.
3. Keep children away - All visitors should be kept a safe distance from work area.
4. Dress properly - Do not wear loose clothing or jewellery. They can be caught in moving parts. Use of rubber gloves and footwear is recommended when working outdoors.
5. Use safety glasses - Always use face or dust mask if operation is dusty.
6. Use right lawn mower - Do not use lawn mower for any job except that for which it is intended.
7. Ground Fault Circuit Interrupter (GFCI) protection should be provided on the circuit(s) or outlet(s) to be used for the lawn mower. Receptacles are available having built-in GFCI protection and may be used for this measure of safety.
8. Warning - To prevent electric shock use only with an extension cord suitable for outdoor



**WARNING:** When using electric garden products, basic safety precautions should always be followed to reduce the risk of fire, electric shock, and personal injury, including the following:



**WARNING:** Read all instructions.

9. Extension Cord - Make sure your extension cord set is in good condition. When using an extension cord, be sure to use one heavy enough to carry the current your product will draw. For lengths less than 25' or 50' (7.2 m or 15.2 m) feet, No. 16/16 AWG extension cord should be used. An undersized cord will cause a drop in line voltage resulting in loss of power and overheating.

(NOTE: Table 1 shows the correct size to use depending on cord length and nameplate ampere rating. If in doubt, use the next heavier gauge. The smaller the gauge number the heavier the

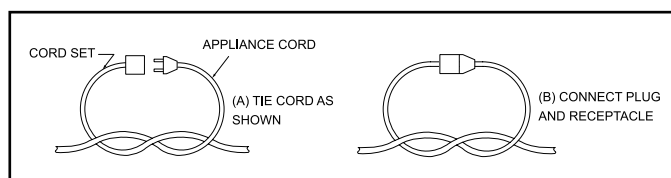
## SAFETY INSTRUCTIONS

cord.) To reduce the likelihood of disconnection of lawn mower cord from the cord set during operating:

- a) Make a knot as shown in Figure 1, or
- b) Use one of the plug-receptacle retaining straps or connectors described in this manual.

Table 1 Minimum gauge for extension cords				
Volts	Total length of cord			
120 V	25' 7.2 m	50' 15.2 m	100' 30.4 m	150' 45.7 m
Ampere rating more than not more than	AWG			
0-6	18	16	16	14
6-10	18	16	14	12
10-12	16	16	14	12
12-16	14	12	Not recommended	

**Table one**



**Figure 1 - Method of securing cord set**

10. Don't abuse cord - Never pull lawn mower by cord or yank it to disconnect from receptacle. Keep cord from heat, oil, and sharp edges.
11. Don't force lawn mower - It will do the job properly and safer at the rate for which it was designed.
12. Don't overreach - Keep proper footing and balance at all times.
13. Stay alert - Watch what you are doing. Use common sense. Do not operate lawn mower when you are tired.
14. Disconnect lawn mower - Disconnect the lawn mower from the power supply when not in use, before servicing, when changing accessories such as blades, and the like.
15. Store idle lawn mower indoors - When not in use, lawn mower should be stored in an indoor dry and locked-up place - out of reach of children.
16. Maintain lawn mower with care - Keep cutting edges sharp and clean for best and safest performance. Follow instructions for lubricating and changing accessories. Inspect lawn mower cord periodically and if damaged, have it repaired by an authorized service facility. Inspect extension cords periodically and replace if damaged. Keep handles dry, clean, and free from oil and grease.
17. Keep guards in place and in working order.
18. Keep blades sharp.
19. Keep hands and feet away from cutting area.
20. Objects struck by the lawn mower blade can cause severe injuries to persons. The lawn should always be carefully examined and cleared of all objects prior to each mowing.
21. If lawn mower strikes a foreign object, follow these steps:
  - a) Stop lawn mower. Release the switch.
  - b) Unplug power cord.
  - c) Inspect for damage.
  - d) Repair any damage before restarting and operating the lawn mower.
5. Use identical replacement blades only.



**WARNING:** Read all safety warnings and instructions. Failure to follow the warnings and instructions may result in electric shock, fire and/or serious injury.

# SAFETY INSTRUCTIONS

## INSTRUCTIONS FOR WALK-BEHIND MOWERS

### IMPORTANT - SAFE PRACTICES FOR WALK-BEHIND MOWERS

#### 1. GENERAL OPERATION

1. Read, understand, and follow all instructions on the mower and in the manual(s) before starting.
2. Do not put hands or feet near or under the mower. Keep clear of the discharge opening at all times.
3. Only allow responsible adults, who are familiar with the instructions, to operate this mower.
4. Clear the area of objects such as rocks, wire, toys, etc., which could be thrown by the blade. Stay behind the handle when the motor is running.
5. Be sure the area is clear of bystanders before operating. Stop mower if anyone enters the area.
6. Do not operate mower barefooted or while wearing sandals. Always wear proper footwear.
7. Do not pull mower backward unless absolutely necessary. Always look down and behind before and while moving backward.
8. Never direct discharged material toward anyone. Avoid discharging material against a wall or obstruction. Material may ricochet back toward the operator. Stop the blade when crossing gravel surfaces.
9. Do not operate mower without the entire grass catcher, discharge guard, rear guard or other safety protective devices in place and working.
10. Never leave a running mower unattended.
11. Stop the motor and wait until the blade comes to a complete stop before cleaning the mower, removing grass catcher, or unclogging the discharge guard.
12. Operate mower only in daylight or good artificial light.
13. Do not operate mower while under the influence of alcohol or drugs.
14. Never operate mower in wet grass. Always be sure of your footing; walk, never run.
15. Disengage the drive system, if so equipped, before starting the motor.
16. If the mower should start to vibrate abnormally, stop the motor and check for the cause immediately. Vibration is generally a warning of trouble.
17. Always wear eye protection when operating mower.
18. See manufacturer's instructions for proper operation and installation of accessories. Only use accessories approved by the manufacturer.

#### 2. SLOPE OPERATION

Slopes are a major factor related to slip and fall accidents, which can result in severe injury. Operation on all slopes requires extra caution. If you feel uneasy on a slope, do not mow it.

1. Mow across the face of slopes; never up and down. Exercise extreme caution when changing direction on slopes.
2. Watch for holes, ruts, bumps, rocks, or other hidden objects. Uneven terrain could cause a slip and fall accident. Tall grass can hide obstacles.
3. Do not mow on wet grass or excessively steep slopes. Poor footing could cause a slip and fall accident.
4. Do not mow near drop-offs, ditches, or embankments. You could lose your footing or balance.

#### 3. CHILDREN

Tragic accidents can occur if the operator is not alert to the presence of children. Children are often attracted to the mower and the mowing activity. Never assume that children will remain where you last saw them.

# SAFETY INSTRUCTIONS

1. Keep children out of the mowing area and under the watchful care of a responsible adult other than the operator.
2. Be alert and turn mower off if a child enters the area.
3. Never allow children to operate the mower.
4. Use extra care when approaching blind corners, shrubs, trees, or other objects that may block your view of a child.

## 4 SERVICE

### GENERAL SERVICE

1. Keep all nuts and bolts tight to be sure the mower is in safe working condition.
2. Never tamper with safety devices. Check their proper operation regularly.
3. Keep mower free of grass, leaves, or other debris build-up.
4. If you strike a foreign object, stop and inspect the mower. Repair, if necessary, before starting.
5. Never make any adjustments or repairs with the motor running.
6. Always unplug electric mowers before adjusting, cleaning, or repairing.
7. Check grass catcher components and the discharge guard frequently and replace with manufacturer's recommended parts, when necessary.
8. Mower blades are sharp. Wrap the blade or wear gloves, and use extra caution when servicing them.
9. Maintain or replace safety and instruction labels, as necessary.

### Safe operation practices for walk-behind lawn mowers

#### 1. Safety Instructions

##### 1.1 Training

- a) Read the operating and service instruction manual carefully. Be thoroughly familiar with the controls and the proper use of the mower.
- b) Never allow children to operate a power mower.
- c) Keep the area of operation clear of all persons, particularly small children, and pets.
- d) Do not use a mower for any job except that for which it is intended.

##### 1.2 Preparation

- a) Thoroughly inspect the area where the mower is to be used and remove all stones, sticks, wires, bones, and other foreign objects.
- b) Do not operate the mower when barefoot or wearing sandals. Always wear proper footwear.
- c) Disengage the self-propelled mechanism or drive clutch on units so equipped before starting the motor.
- d) Never attempt to make a wheel height adjustment while the motor is running.
- e) Mow only in daylight or in good artificial light.
- f) Never operate the mower on wet grass. Always be sure of your footing. Keep a firm hold on the handle and walk, never run.

##### 1.3 Operation

- a) Do not put hands or feet near or under rotating parts. Keep clear of the discharge opening at all times.
- b) Stop the blade(s) when crossing gravel drives, walks, or roads.
- c) After striking a foreign object, stop the motor, unplug, thoroughly inspect the mower for any damage, and repair the damage before restarting and operating the mower.
- d) If the mower should start to vibrate abnormally, stop the motor and check immediately for the cause. Vibration is generally a warning of trouble.

# SAFETY INSTRUCTIONS

- e) Stop the motor and unplug whenever you leave the mower, before cleaning the mower housing, and before making any repairs or inspections.
- f) Shut the motor off and wait until the blade comes to a complete stop before removing the grass catcher or before unclogging the chute.
- g) Mow across the face of slopes, never up and down. Exercise extreme caution when changing direction on slopes. Do not mow excessively steep slopes.
- h) Never operate the mower without proper guards, plates, or other safety protective devices in place.
- i) Do not wash with a hose, avoid getting water in motor and electrical connections.

## 1.4 Maintenance

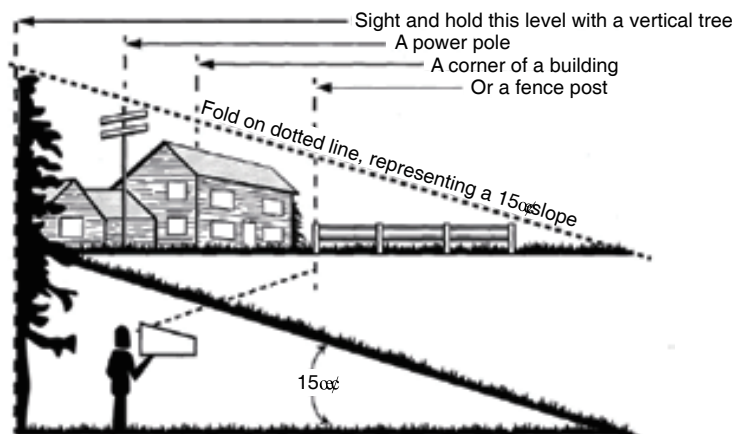
- a) Check the blade and the motor mounting bolts at frequent intervals for proper tightness.
- b) Keep all nuts, bolts, and screws tight to ensure the mower is in safe working condition.
- c) Check bag frequently for deterioration and wear, and replace worn bags. Check that replacement bags comply with the original manufacturer's recommendations or specifications.
- d) Replace the blade if it is bent or cracked. An unbalanced blade causes vibration that could damage the motor drive unit or cause personal injury.
- e) Sharpen a dull blade equally at each end to maintain the balance.
- f) Clean the blade thoroughly and check its balance by supporting it horizontally on a thin nail through its centre hole. The nail should also be in a horizontal position. If either end of the blade rotates downward, remove some metal from the heavy or lower end until the blade is balanced. It is balanced when neither end drops.

## Slope gauge

- Mow across the face of a slope and never up and down. Exercise extreme caution when changing direction on a slope.
- Watch for holes, ruts, rocks, hidden objects, or bumps that may cause a slip or a trip. Tall grass can hide obstacles.
- Always be sure of your footing. If you feel like you are losing your balance, release the bar switch immediately. The blade will stop rotating within 3 seconds.
- Do not mow near drop-offs, ditches, or embankments, because you could lose your footing or balance.
- Do not mow a slope that has an angle of greater than 15°, as determined using the slope gauge.
- Do not mow wet or damp grass. Unstable footing can cause slipping.



**WARNING:** Do not mow a slope that has an angle greater than 15° (a rise of approximately 2 1/2' [0.75 m] every 10' [3 m]). Mow across the face of a slope, and never up and down.



## SAFETY INSTRUCTIONS



### WARNING!

Some dust created by power sanding, sawing, grinding, drilling and other construction activities contains chemicals known to the state of California to cause cancer, birth defects or other reproductive harm. Some examples of these chemicals are:

- Lead from lead - based paints
- Crystalline silica from bricks and cement and other masonry products, and
- Arsenic and chromium from chemically -treated lumber.

Your risk from these exposures varies, depending on how often you do this type of work.

To reduce your exposure to these chemical: work in a well ventilated area, and work with approved safety equipment, such as those dust masks that are specially designed to filter out microscopic particles.

For more information go to [www.P65warnings.ca.gov](http://www.P65warnings.ca.gov).

## DESCRIPTION OF SYMBOLS



**WARNING:** Please read all of the safety and operating instructions carefully before using this tool. Please pay particular attention to all sections of this User Manual that carry warning symbols and notices. Some of the following symbols may be used on this tool.



**Warning.**



Read the operator's manual.



Wear ear protection.



To avoid possibility of electric shock, do not use in damp or wet conditions.



CPSC Danger label.



Severing of toes or fingers-rotary mower blade.



Thrown objects from mower deck.



Keep bystanders away.



Look behind while backing.



Keep bystanders/children away.



Safety alert.



Slippery on slopes.



Blade continues to rotate after the mower is switched off. Wait until all mower components have completely stopped before touching them.



Wear protective gloves.



Before performing any work on the mower, pull the power plug from the outlet.



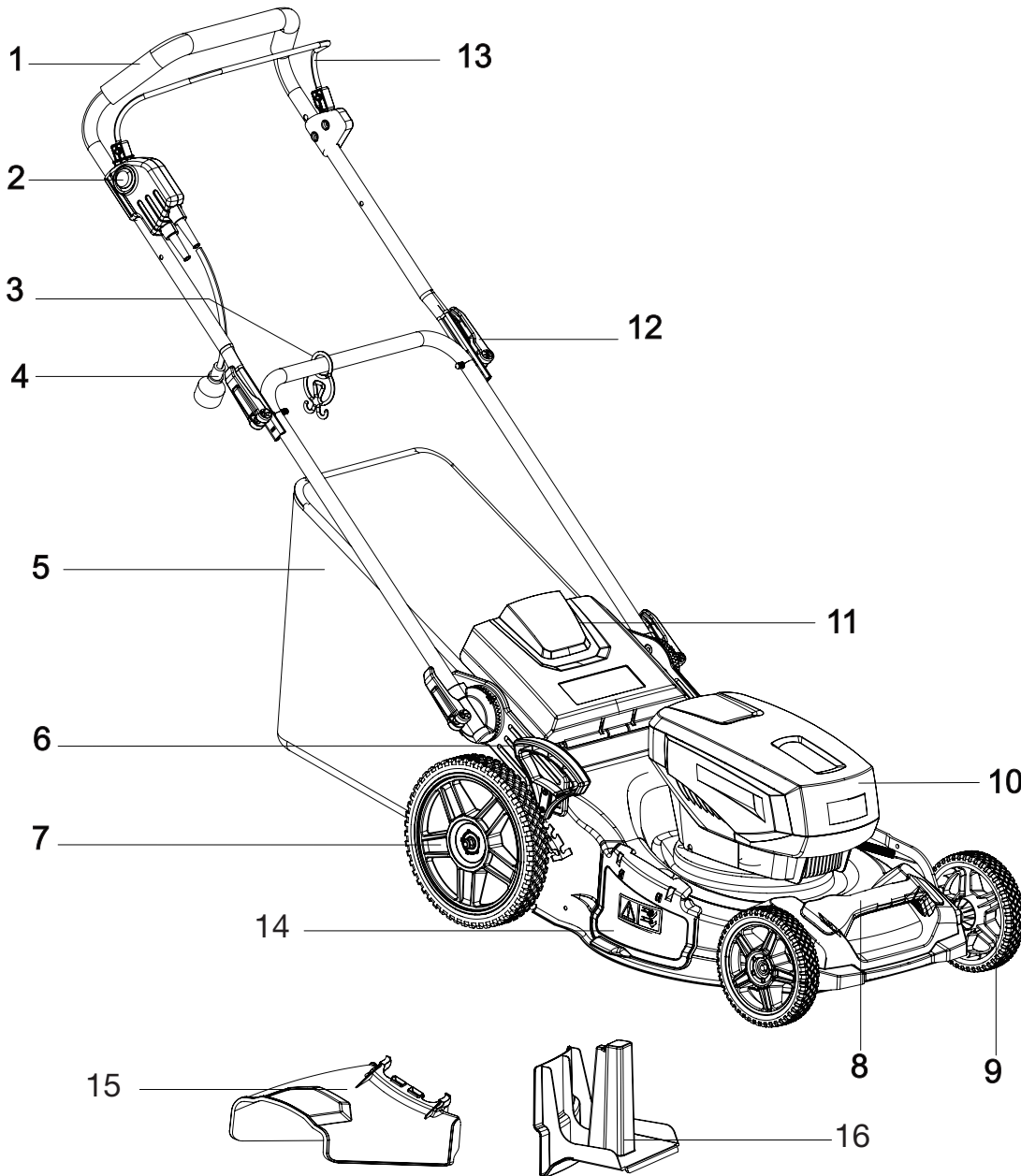
Switch off and remove plug from power source before cleaning or maintenance.



Do not open or remove safety shields while engine is running.

# PARTS LIST

## KNOW YOUR 15 AMP 19" LAWN MOWER



- |                            |                                      |
|----------------------------|--------------------------------------|
| 1. Upper handle            | 9. Front wheel                       |
| 2. Safety button           | 10. Motor cover                      |
| 3. Extension cord retainer | 11. Rear flap                        |
| 4. Power cord              | 12. Handle quick release lever       |
| 5. Grass bag               | 13. Operating bar                    |
| 6. Height adjusting handle | 14. Side-discharge cover             |
| 7. Rear wheel              | 15. Side-discharge chute             |
| 8. Front bumper handle     | 16. Mulching plug (inside the mower) |

## PRODUCT SPECIFICATIONS

<b>15 Amp 19" Lawn Mower</b>	
Model #	YFSLM46
Rated voltage:	120 V~ 60 Hz
Rated power:	15 Amp
No load speed:	3200 RPM
Deck diameter:	19" (48 cm)
Cutting path:	18" (46 cm)
Front Wheel Diameter:	7" (18 cm)
Rear Wheel Diameter:	10" (25 cm)
Cutting Height:	1 – 3" (2.5–7.6 cm)
Cutting Height Positions:	7
Grass Collection Capacity:	1.4 bushels (50 L)
Mower Weight:	46 lb (20.9 kg)

For problem or questions, DO NOT RETURN TO STORE contact one of our customer service agents who would be happy to assist you.

For customer service please call: 1-866-902-9690.

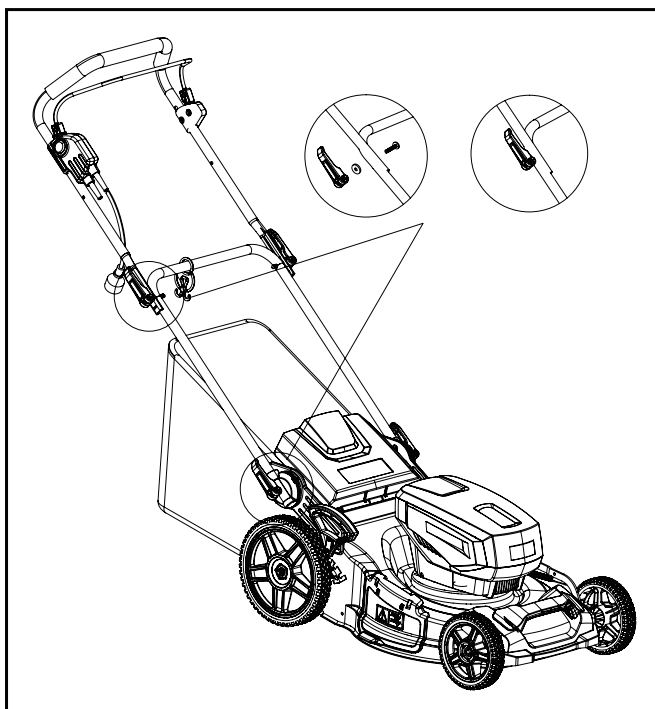
# ASSEMBLY



**CAUTION:** Read complete **INSTRUCTION MANUAL** before operating this machine.

Your new lawn mower has been assembled at the factory with the exception of those parts left disassembled for shipping purposes. All parts such as nuts, washers, bolts, etc., necessary to complete the assembly have been placed in the parts bag. To ensure safe and proper operation of your lawn mower, all parts and hardware you assemble must be tightened securely. Use the correct tools as necessary to ensure proper tightness.

## 1. HOW TO SET UP YOUR LAWN MOWER

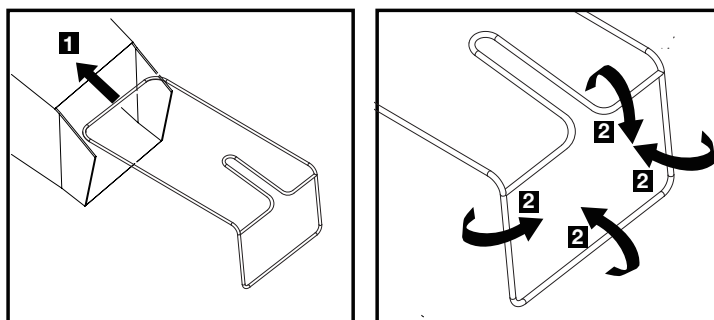


1. Pull up and back on the lower handle to raise the handle into operating position, then attach the upper handle to lower handle, tighten the upper handle with the handle quick release levers on both sides.
2. Adjust the handle position to your desired angle and height, make sure you feel comfortable with the operating position. Make certain the handles snap into place securely, then tighten the lower handle with the handle knobs on both sides.

**IMPORTANT:** Unfold handle carefully to avoid pinching or damaging the power cord.

## 2. TO ASSEMBLE THE GRASS BAG

1. Put the grass bag frame into the grass bag with the rigid part of the bag on the bottom. Make sure the frame handle is outside of the bag top.
2. Slip the vinyl bindings over the frame.



# OPERATION

## OPERATION



**CAUTION:** Never make any adjustments or repairs with the motor running. Always unplug electric mowers before adjusting, cleaning, or repairing.

### 1. TO CONVERT MOWER

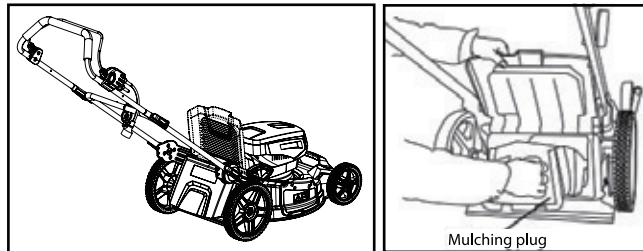
Your lawn mower may have been shipped ready to be used as a mulcher. Convert to bagging or discharge modes by changing the installed accessories.

NOTE: This lawn mower has three functions. Change functions by changing the installed accessories as shown in the following chart.

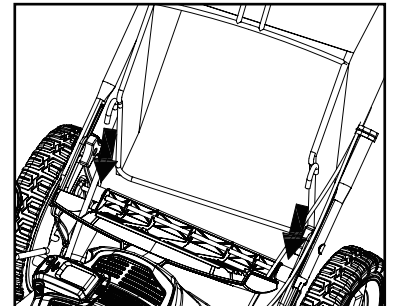
To convert mower	mulching plug	grass catcher	side discharge deflector
For rear bagging	x	☒	x
For mulching	☒	x	x
For side discharging	☒	x	☒

"☒" Installed "x" Removed

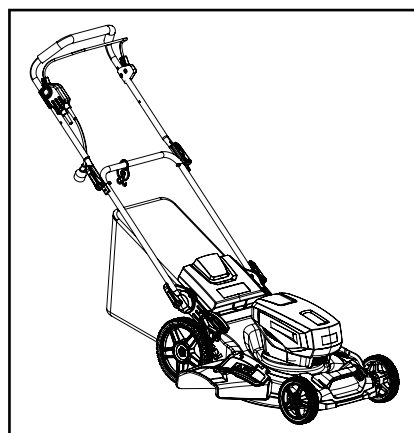
### REAR BAGGING



1. Lift rear flap of the lawn mower.
  2. Remove the mulching plug when you set your lawn mower for rear bagging.
  3. Place the grass bag frame onto the hook of the grass bag brackets.
- NOTE:** For clarity, rear flap is not shown.
4. Ensure that rear flap covers any gap between mower deck and bagging unit.
  5. To convert to mulching or discharging operation, remove grass bag, assemble the mulching plug and close the rear flap.



### SIDE DISCHARGING



**IMPORTANT:** THE REAR FLAP MUST BE CLOSED.

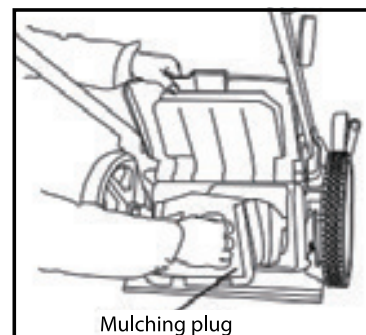
1. Open the side discharge cover.
2. Install the side discharge chute under the door as shown.  
The mower is now ready for discharging operation.

## OPERATION

**NOTE:** To convert to mulching or bagging operation, side discharge cover must be closed.

### MULCH/DISCHARGE GUARD

1. Open the side discharge cover.
2. Remove the side discharge chute.
3. Assemble the mulching plug as shown. The mower is now ready for mulching operation.



### SIMPLE STEPS TO REMEMBER WHEN CONVERTING YOUR LAWN MOWER

#### FOR MULCHING

- The rear flap is closed.
- The side discharge cover is closed, and the mulching plug must be installed.

#### FOR REAR BAGGING

- Remove the mulching plug.
- The grass bag is installed.
- The side discharge cover is closed.

#### FOR SIDE DISCHARGING

- The rear flap is closed.
- Assemble the mulching plug.
- The side discharge chute is installed.

**CAUTION:** DO NOT run your lawn mower without the rear flap closed or an approved grass bag properly installed. NEVER attempt to operate the mower with the rear flap removed or propped open. Serious injury may result from operating the mower with the rear discharge open.

### STARTING/STOPPING THE MOWER

#### To start the motor:

- Plug the mower into an approved outdoor extension cord.
- Press and hold the safety button (2).
- Pull the operating bar (13) upward to the handle to start the mower and release the button (2).

#### To stop the motor:

- Release the operating bar.

**CAUTION:** DO NOT attempt to override the operation of the safety button or operating bar.

**WARNING:** The operation of any mower can result in foreign objects being thrown into the eyes, which can cause severe eye damage. Always wear safety glasses while operating the mower and while performing any adjustments or repairs.

**WARNING:** Ensure that other people and pets remain at least 100' (30 m) away when the mower is in use.

# OPERATION

## INSPECT THE CUTTING AREA

Remove all stones, sticks, wire, bones, and other debris that might be thrown by the rotating blades.

## USING THE CORD RETAINER

This lawn mower is equipped with a cord retainer in order to prevent the extension cord from disconnecting from the power cord while the mower is in use. The cord retainer hangs from the cord guide bar.

### To use the cord retainer:

- Fold the extension cord in order to form a tight loop near the retainer.
- Push the loop through the bottom hole in the retainer.
- Slide the loop over the retaining clip, and pull down until the cord is secured.

NOTE: Do not plug the extension cord into the outlet until it has been connected to the cord retainer and plugged into the mower.

## CUTTING HEIGHT ADJUSTMENT

When shipped, the wheels on the mower are set at the lowest cutting position. Before using the mower for the first time, raise the cutting position to the height best suited for your lawn.

### To adjust the blade height:

- To raise the blade height, grasp the height adjustment handle and move it toward the back of the mower.
- To lower the blade height, grasp the height adjustment handle and move it toward the front of the mower.

## MOWING TIPS



**CAUTION:** DO NOT use de-thatcher blade attachments on your mower. Such attachments are hazardous, will damage your mower, and could void your warranty.

- Under certain conditions, such as very tall grass, it may be necessary to raise the height of cut to reduce pushing effort and to keep from overloading the motor and leaving clumps of grass clippings. It may also be necessary to reduce ground speed and/or run the lawn mower over the area a second time.
- For extremely heavy cutting, reduce the width of cut by overlapping previously cut path and mow slowly.
- For better grass bagging and most cutting conditions, the engine speed should be set in the fast position(if equipped).
- Pores in cloth grass bag can become filled with dirt and dust with use and bag will collect less grass. To prevent this, regularly hose catcher off with water and let dry before using.

## MULCHING MOWING TIPS

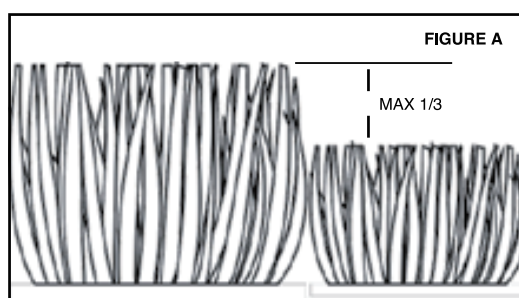
**IMPORTANT:** For best performance, keep mower housing free of built-up grass and trash.

- The special mulching blade will recut the grass clippings many times and reduce them

## OPERATION

in size so that as they fall onto the lawn they will disperse into the grass and not be noticed. Also, the mulched grass will biodegrade quickly to provide nutrients for the lawn. ALWAYS mulch with your highest (blade) speed as this will provide the best recutting action of the blades.

- Avoid cutting your lawn when it is wet. Wet grass tends to form clumps and interferes with the mulching action. The best time to mow your lawn is the early afternoon. At this time the grass has dried, yet the newly-cut area will not be exposed to direct sunlight.
- For best results, adjust the lawn mower cutting height so that the lawn mower cuts off only the top one-third of the grass blades (Figure A). If the lawn is overgrown it will be necessary to raise the height of cut to reduce pushing effort and to keep from overloading the engine and leaving clumps of mulched grass. For extremely heavy mulching, reduce your width of cut by overlapping previously cut path and mow slowly.
- Certain types of grass and grass conditions may require that an area be mulched a second time to completely hide the clippings. When doing a second cut, mow across (perpendicular) to the first cut path.
- Change your cutting pattern from week to week.
- Mow north to south one week, then east to west the next week. This will help prevent matting and graining of the lawn.



### TO EXAMINE THE BLADE



**WARNING!** Always stop the motor before you do work on the blade.

Make sure that the blade is fully stopped and disconnect the extension cord before you start work.



**Caution!** For best performance, keep the blade sharpened. Replace damaged blades immediately. Do not use a mower with damaged blade.



**Caution!** For safety reasons, we recommend having the blade replaced by an authorized specialist.

# OPERATION

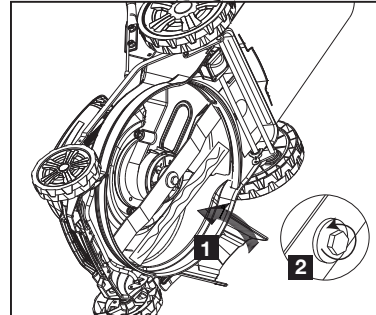
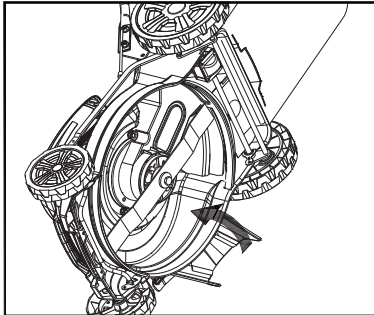
## TO REPLACE THE BLADE



**WARNING:** Use gloves and/or wind the blade with a heavy cloth to prevent injury to your hands.



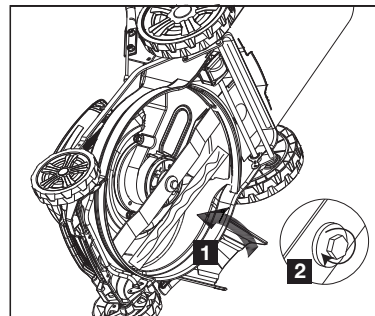
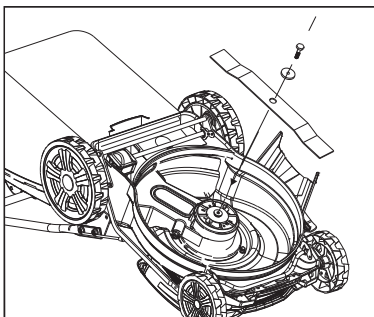
**CAUTION:** Only use a replacement blade from an approved manufacturer. Using a blade not approved by the manufacturer is dangerous and can cause damage to the product and void the warranty.



1. Turn the product on its side.
2. Use a wood block between the blade and the mower housing to prevent the blade from turning when removing the blade bolt.
3. Remove the blade bolt by turning the bolt counterclockwise.
4. Remove the blade.  
Examine the blade bolt for any damage.

## TO INSTALL THE BLADE

1. When installing the new blade, please pay attention to the installation direction of the knife. The wind blades of the knife must protrude into the motor compartment.
2. Use a block of wood between the blade and product housing. Tighten the blade bolt and turn it clockwise.
3. Always tighten the bolt with a torque of approx. 18 ft-lb (25Nm).
4. Pull the blade around by hand and make sure it rotates freely.



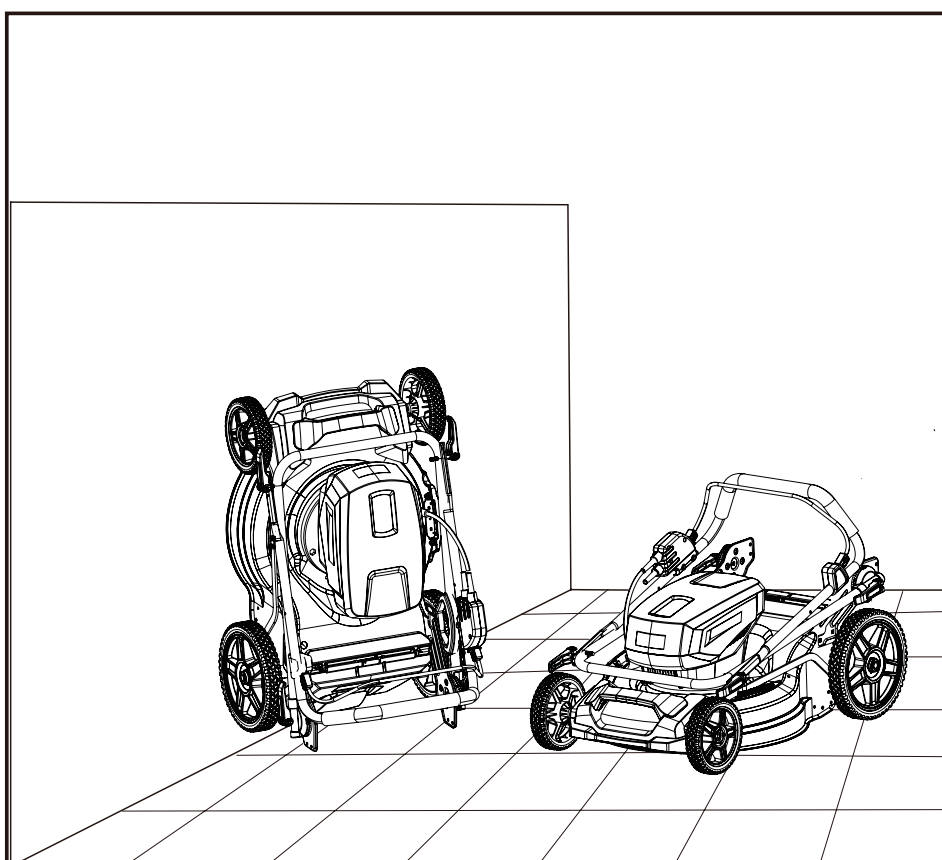
## MAINTENANCE AND STORAGE

### STORAGE

- Stop the mower and unplug.
- Clean the exterior of the mower thoroughly using a soft brush and cloth. Do not use water, solvents or polishes. Remove all grass and debris, especially from the ventilation slots.
- Turn the mower on its side and clean the blade area. If grass cuttings are compacted in the blade area, remove with a wooden or plastic implement.
- Store the mower in a dry place. Do not place other objects on top of the mower.
- To aid storage, release the handle knob and rotate or fold the upper handle.
- Ensure cables are not stuck or entangled when folding or unfolding upper handles. Do not drop the handles.

### VERTICAL STORAGE

- Turn handle knobs to "unlocked" position and fold down handle.
- Tilt up and store
- Position the mower and make sure the blade is facing a wall.



## TROUBLESHOOTING

PROBLEM	SOLUTION
1. Mower doesn't run when operation bar is activated.	Release switch lever to turn mower off. Check power cord, extension cord, and outlet are connected.
2. Motor stops while mowing.	A. Release switch lever to turn mower off. Remove safety key, turn mower over and check that blade is free to turn. If not free, return to an authorized servicer. Blade should turn freely.
	B. Raise cutting height of wheels to highest position and start mower.
	C. Avoid overloading the mower. Slow down the cutting pace by pushing mower slower or raise the cutting height. Or both.
3. Mower runs but cutting performance is unsatisfactory, or does not cut entire lawn.	A. Release operating bar to turn mower off. Turn mower over and check: Blade for sharpness - Keep blade sharp. Deck and discharge chute for clogging.
	B. Wheel height adjustment may be set too low for grass condition. Raise cutting height.
4. Mower is too hard to push.	A. Raise cutting height to reduce deck drag on grass. Check each wheel for free rotation.
5. Mower is abnormally noisy and vibrates.	A. Release operating bar to turn mower off. Turn mower on side and check blade to ensure it has not been bent or damaged. If blade is damaged, replace with a replacement blade. If the underside of the deck is damaged bring mower to authorized service center.
	B. If there is no visible damage to the blade and the mower still vibrates: Release switch lever to turn mower off, unplug the machine, remove blade. Rotate blade 180 degrees and retighten. If mower still vibrates, bring mower to authorized service center.
6. Mower not picking up clippings with the grass collection bag.	A. Remove mulch plug when bagging.
	B. Chute clogged. Release operating bar to turn mower off. Disconnect power cord, clear chute of grass clippings.
	C. Too much cut grass. Raise cutting height of wheels to shorten length of the cut.
	D. Bag full. Empty bag more often.
7. When mulching there are clippings visible.	A. Too much cut grass. Raise cutting height of wheels to shorten length of the cut. Do not cut off more than 1/3 of total blade length.
	B. Check blade for sharpness. Always keep blade sharp.

# WARRANTY

## WARRANTY

### Product Warranty

Please keep your original purchase receipt in a safe place as proof of purchase.

The warranty period begins on the day that the product was purchased from an authorized retailer of Warranty coverage for this product must be verified by the original purchase receipt.

Yard Force products. Warranty coverage only applies to the original purchaser and is not transferrable.

Warranty coverage is only provided on products purchased from authorized Yard Force retailers.

Warranty only applies to products purchased and OPERATED in the USA. Any product purchased or operated outside of the USA is not covered by any warranty.

### (2) Two-Year Limited Warranty

The lawn mower has a 2-Year Limited Warranty from the date of purchase against manufacturer defects for residential use only. Commercial use voids the warranty. This warranty does not cover accidental damage, unreasonable use, normal wear and tear, neglect or non-compliance with the Operating, Safety and Maintenance Instructions. All service, outside of normal maintenance as described in this manual, must be done by an authorized service technician. Any unauthorized service or changes to the original configuration of this product will void the warranty. All parts and accessories used on and with this product must be manufactured and or authorized by Merotec Inc.

### (90) Ninety-Day Warranty – Components

The accessories included with the lawn mower including the blade and other similar parts are warranted against manufacturer defects for residential use only for a period of 90 days from date of purchase.

Warranty does not cover loss of use or other consequential damages arising from any of the above, nor does it cover repairs made or attempted by unauthorized persons.

This warranty is void if the product is used for commercial, rental or industrial purposes.

Certain parts, attachments and accessories are subject to normal wear and tear and are excluded from the warranty.

### Service and Warranty Claims Process

Contact the Yard Force Support Center toll-free at **(866) 902-9690 Monday-Friday between 8:30 AM and 5:00 PM Eastern Time** for service and warranty support.

Yard Force Service Support agents can help you troubleshoot problems over the phone to get you back up and running as quickly as possible. In the situation where service or warranty inspection is needed, please follow these steps:

1. Call Yard Force at **(866) 902-9690 Monday-Friday between 8:30 AM and 5:00 PM Eastern Time**.
2. Send in proof-of-purchase and serial number (if applicable) to confirm warranty Coverage as directed by Yard Force.
3. If service or a warranty evaluation is requested, Yard Force will provide an RGA number that should be used in all communications with Yard Force and is required to be indicated on the product itself and on the outside of the box.
4. All shipments to Yard Force must have an RGA number. Any shipment received that does not have an RGA number clearly marked on the outside of the box will be refused.
5. All shipments must be sent pre-paid, Yard Force does not pay for any shipping costs for service or warranty evaluation. Yard Force is not responsible for any packages that are lost by carrier. We recommend that shipments are made by a carrier that provides tracking and delcert confirmation

For more information or to ask questions, please call toll-free **(866) 902-9690 Monday-Friday between 8:30 AM and 5:00 PM Eastern Time**.

**SAVE THESE INSTRUCTIONS**



## Need Help?

Please do not return the product to your place of purchase yet. We're here to help and take care of all your needs.

### Contact our customer service department for help with:

- Product assembly or use
- Missing or damaged parts
- Troubleshooting
- Replacement parts and accessories

You can submit a support request by scanning the QR code on this page, or by visiting:  
[www.YardForceUSA.com/contact-support](http://www.YardForceUSA.com/contact-support)

Scan Code to connect with Yard Force Support



**1-866-902-9690**



**[www.YardForceUSA.com](http://www.YardForceUSA.com)**

Register your product today to maintain warranty coverage and stay up to date with information on the use, care, maintenance and service of your product.

Register online today at:

[www.yardforceusa.com/product-registration](http://www.yardforceusa.com/product-registration)



Merotec Inc.  
3655 Kennesaw North Industrial Parkway  
Kennesaw, GA 30144  
Copyright © 2022 Merotec Inc.

Made in China at a SUMEC manufacturing facility.

Part Number: YF1519-3N1MAN-A  
2206