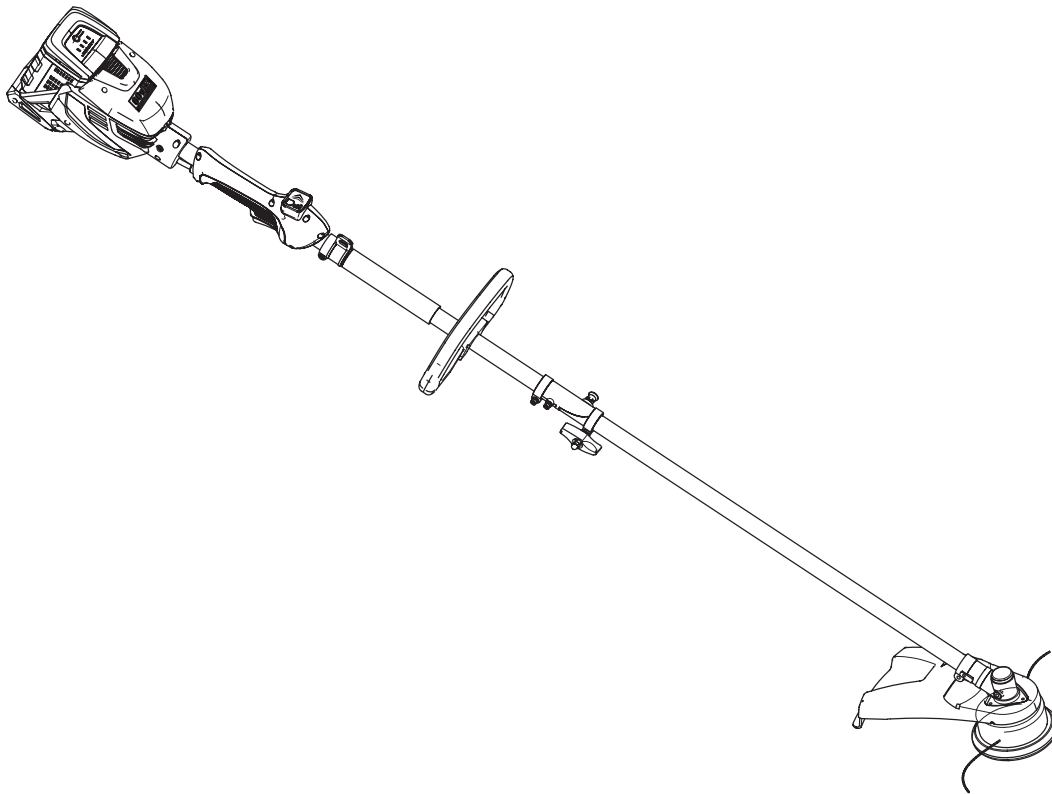




YARD FORCE[®]
OUTDOOR POWER EQUIPMENT

YF60VRX18-LT

16" Cordless Line Trimmer **OPERATOR'S MANUAL**



*Our Customer Service staff is ready to provide assistance.
In the case of a damaged or missing part, most replacement parts ship directly from Merotec USA in Atlanta or from one of our service partners in the US.
For immediate help with assembly, or for additional product information, email support@MerotecUSA.com or call 866-902-9690 M-F 8:30am – 5:00pm ET. More information can be found on www.YardForceUSA.com.*



SAVE THIS MANUAL FOR REFERENCE



*You will need this manual for safety instructions, operating procedures, and Warranty.
The original sales receipt is required for warranty service.*

TABLE OF CONTENTS

Description of Product Parts	6
Intended use.....	6
Technical Specifications.....	6
Safety Information.....	6
Assembly	11
Adjustment	11
Operation.....	12
Maintenance and Storage	13
Troubleshooting	14
Warranty	15



WARNING

1. To reduce the risk of electric shock- Do not expose to water.
2. Do not use in rain. Store indoors only. Replace damaged battery pack immediately.
3. Disconnect battery pack before cleaning or servicing. Use proper eye protection. Keep away from rotating line.
4. Do not operate without guard in place.
5. Use only 60V Li-ion battery YF60VRX4.0-BAT & YF60VRX2.5-BAT and battery charger YF60VRX4A-CHG & YF60VRX2A-CHG.

Fig. 1

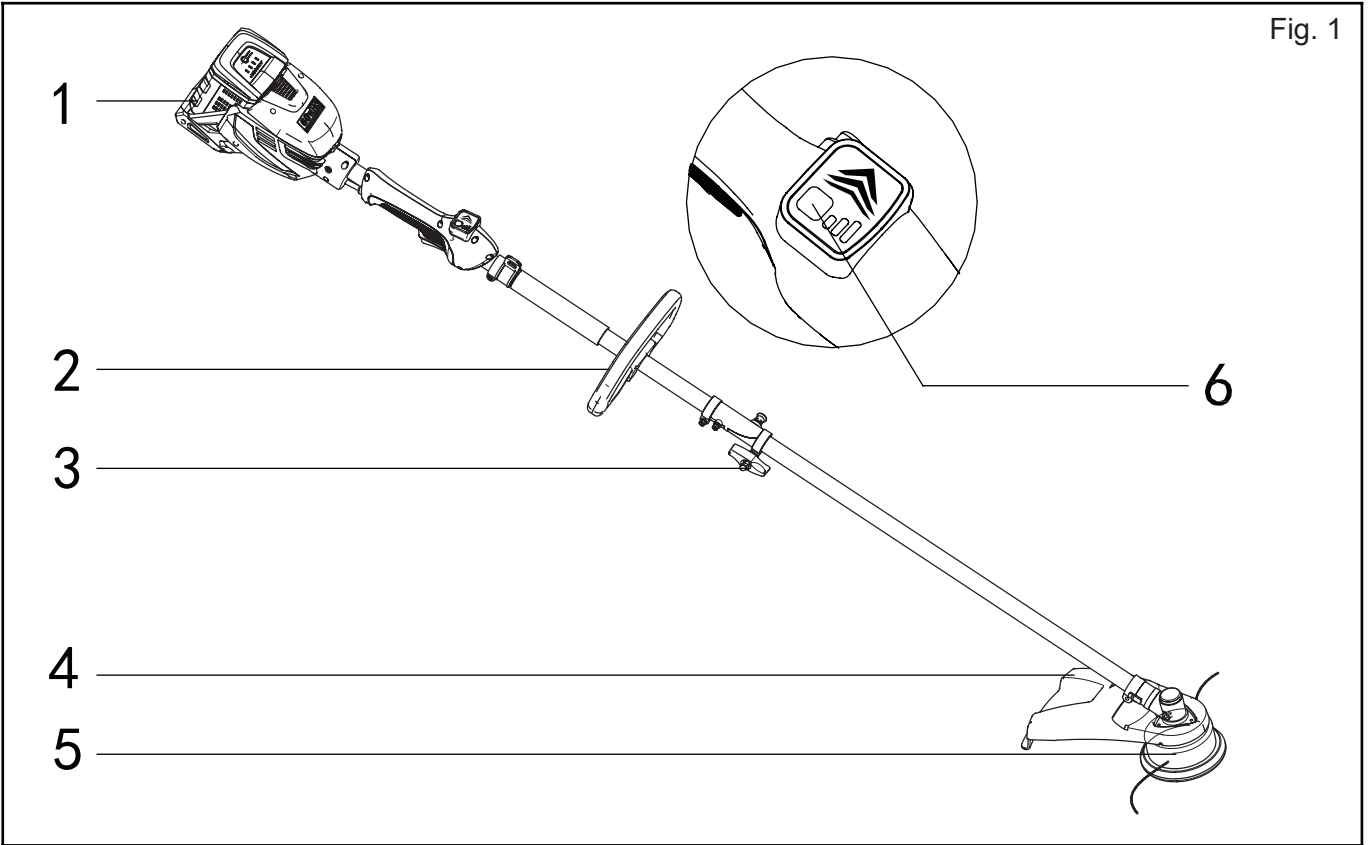
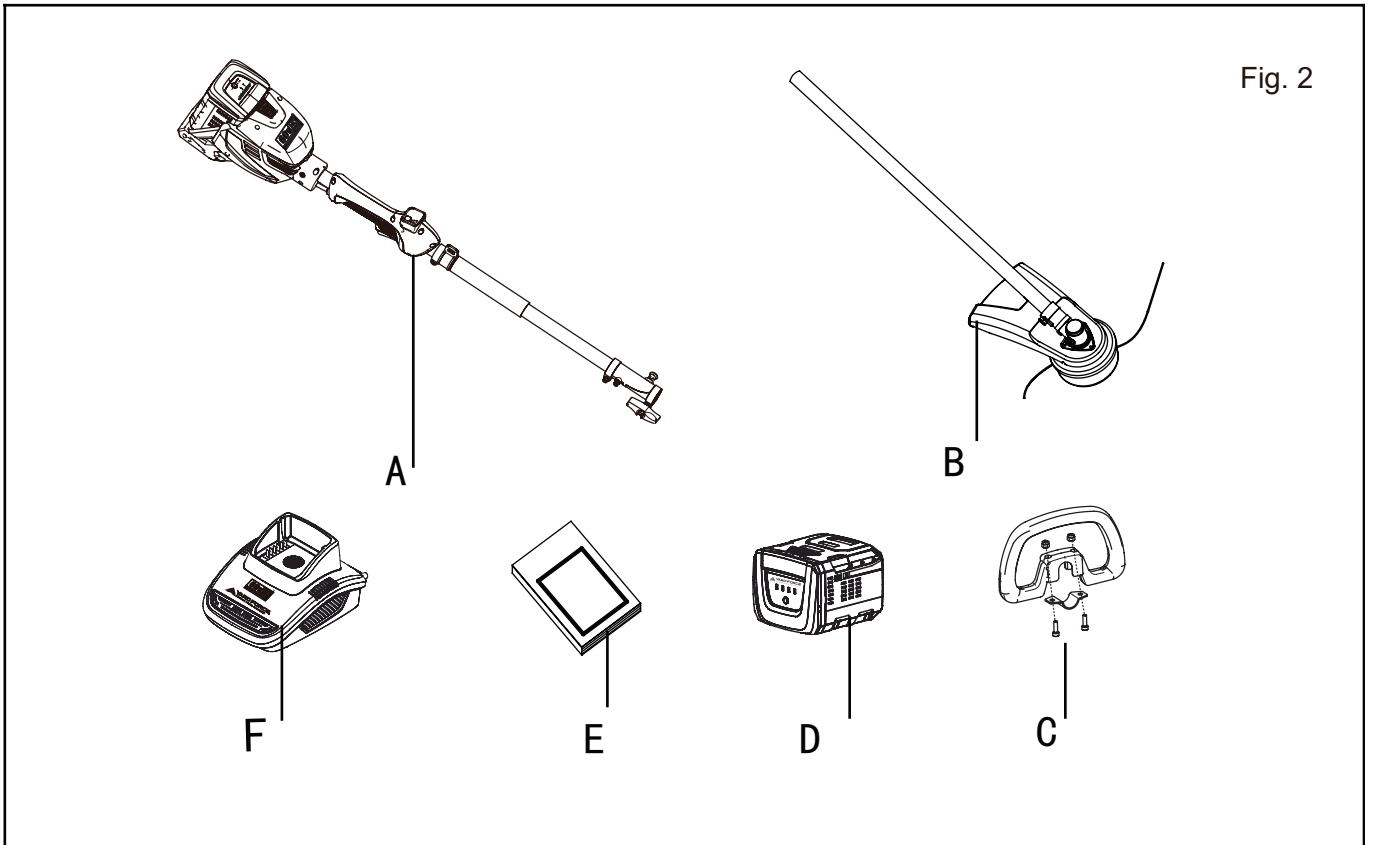


Fig. 2



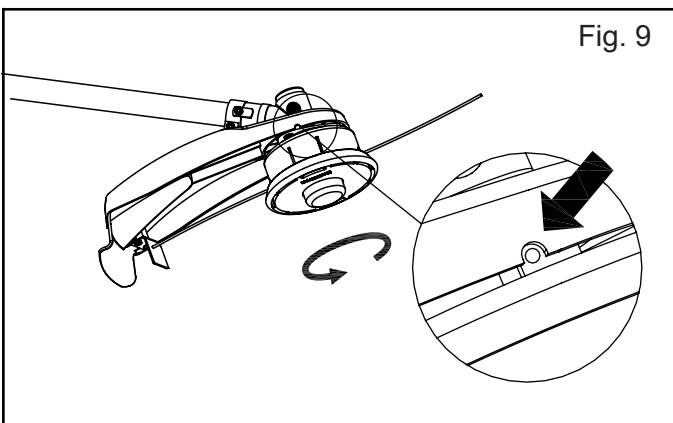
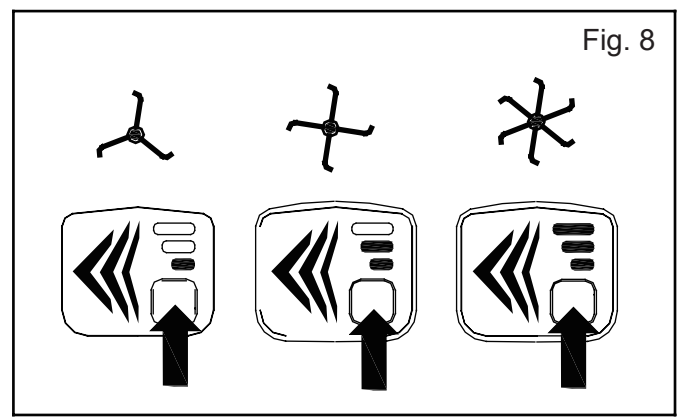
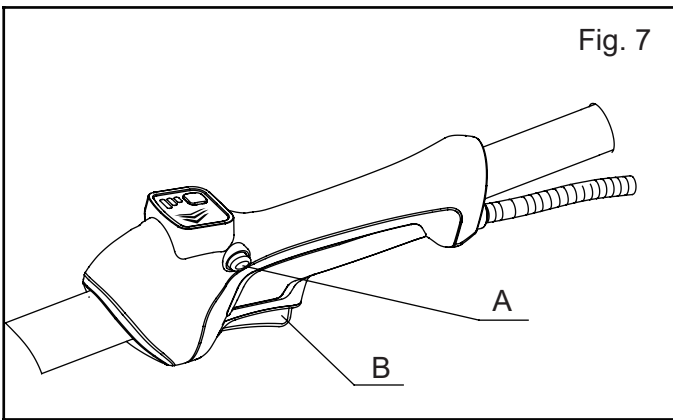
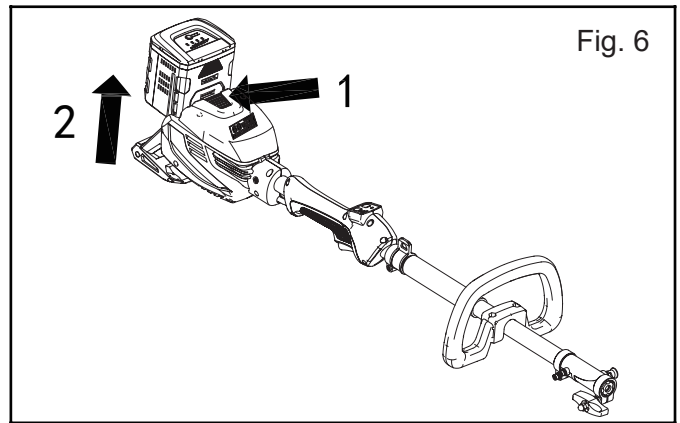
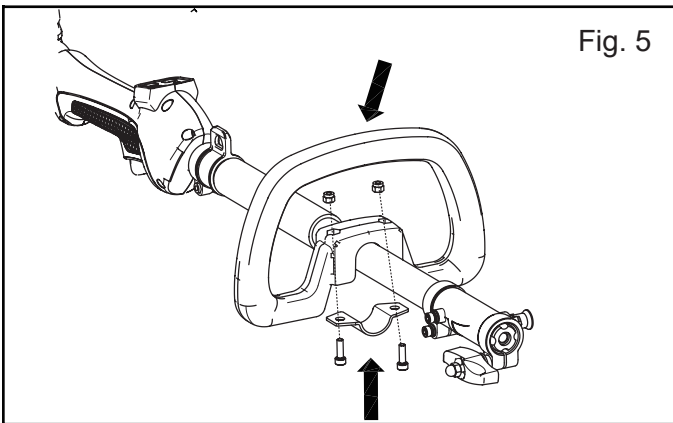
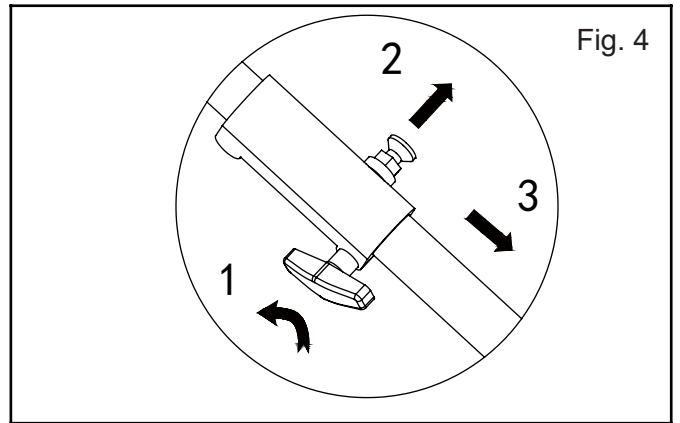
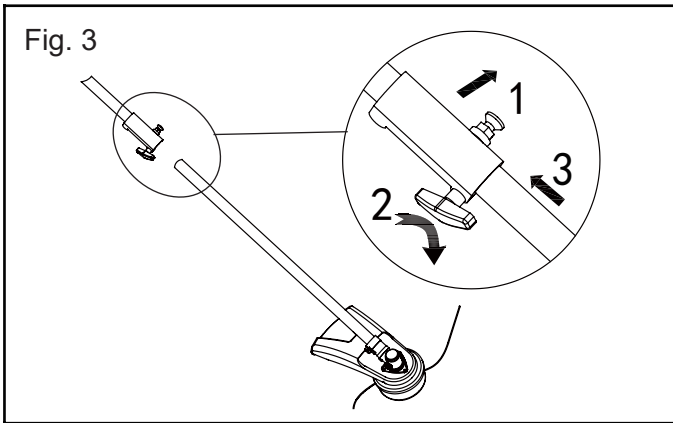


Fig. 10

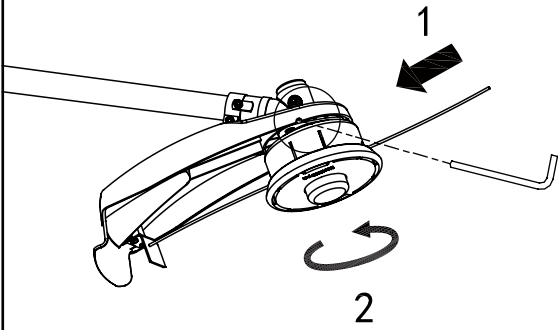


Fig. 11

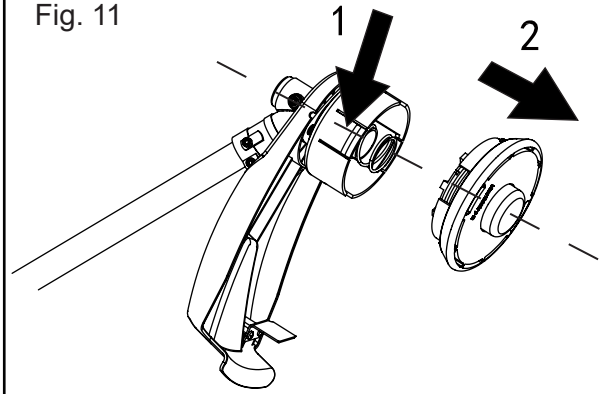


Fig. 12

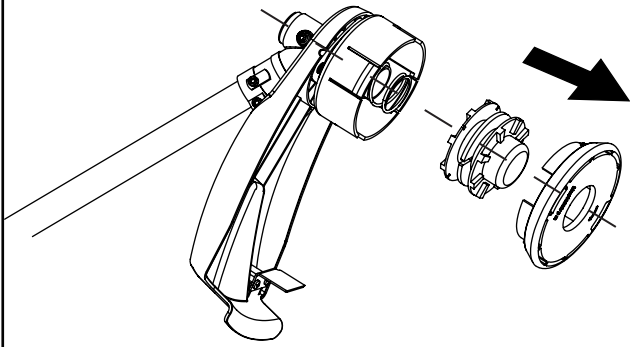


Fig. 13

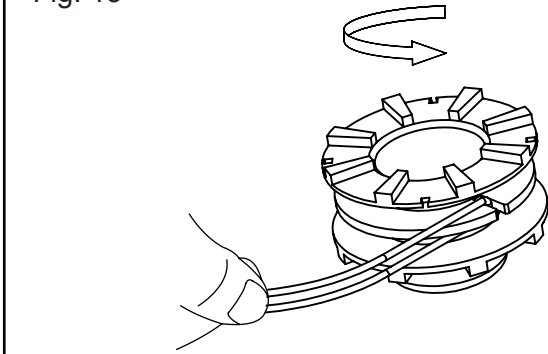
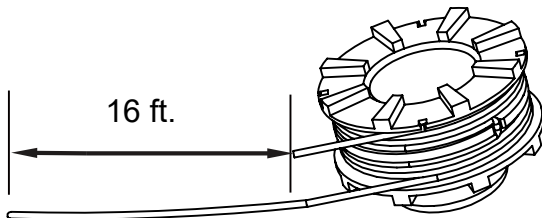


Fig. 14



DESCRIPTION OF PRODUCT PARTS

Parts list (See Fig. 1)

1. Power head
2. Auxiliary handle
3. Shaft connector
4. Safety guard
5. Cutting head
6. Speed adjustment button

Delivery list (See Fig. 2)

- A. Power head assy. x 1
- B. Line trimmer attachment x 1
- C. Auxiliary handle x 1
- D. Battery pack x 1
- E. Manual x 1
- F. Charger x 1

Carefully remove the machine and parts from its packaging. Identify all the parts packaged in the carton against the parts list. Please contact our customer service center (**Monday - Friday 8:30AM - 5:00PM ET**) at **(866) 902-9690** if anything is missing.



WARNING! If any parts are damaged or missing, do not operate this tool until the missing parts are replaced. Failure to heed this warning could result in serious personal injury.

NOTE! Always recycle the packaging in accordance with local recycling schemes.



WARNING! This item requires a two person lift to remove from the packaging. Make sure that you have sufficient space to put the lawn mower down. Keep your feet apart so that you have a stable position, bend at the knees and keep your back straight.

TECHNICAL SPECIFICATIONS

Item No.	YF60VRX18-LT
Voltage/Capacity	60 v d.c. / 2.5 Ah Li-ion
Cutting Width	16"
Cutting Line Dia.	0.095"(0.080" Compatible)
Line Feed	Dual Line, Tap-Feed
Running Speed	3 Speeds, 4500/5000/5500 RPM
Motor	Brushless

Charger	Input: 100~240 V, 50/60 Hz, Output: 63 v d.c. 2.5 A
Charging Time	60 minutes
Weight	20.2 lbs
Battery Pack Type	YF60VRX2.5-BAT
Adapter Type	YF60VRX2A-CHG

INTENDED USE

The product is intended for cutting weed, grass or similar soft vegetation in areas that are hard to reach, e.g. under bushes, on slopes and edges. It may not be used to work on unusual thick, dry or wet grass, e.g. pasture grass, or to shred leaves.

For safety reasons it is essential to read the entire instruction manual before first operation and to observe all the instructions therein.

SAFETY SYMBOLS

The purpose of safety symbols is to attract your attention to possible dangers. The safety symbols and the explanations with them deserve your careful attention and understanding. The symbol warnings do not, by themselves, eliminate any danger. The instructions and warnings they give are no substitutes for proper accident prevention measures.



WARNING: Be sure to read and understand all safety instructions in this Operator's Manual, including all safety alert symbols such as "**DANGER**," "**WARNING**," and "**CAUTION**" before using this tool. Failure to follow all instructions listed below may result in electric shock, fire, and/or serious personal injury.

SAFETY INSTRUCTIONS

This page depicts and describes safety symbols that may appear on this product. Read, understand, and follow all instructions on the machine before attempting to assemble and operate.



This symbol, before a safety comment, indicates a precaution, a warning or a danger. Ignoring this warning can lead to an accident for yourself or for others. To limit the risk of injury, fire, or electrocution always apply the recommendations indicated.



Beware of thrown or flying objects to bystanders. Keep by standers a safe distance away from the machine.



Wear ear protection



Wear eye protection



Wear protective gloves



Protect against rain and wet. Do not expose and operate the tool in rain.



Objects thrown by the product could hit the user or other by standers. Always ensure that other people and pets remain at a safe distance from the product when it is in operation. In general, children must not come near the area where the product is.

Warning symbols on the battery pack



Do not throw into water



Do not litter to fire.



Do not subject the battery to strong sunlight over long periods and do not leave it on a heater (max. 113 °F).



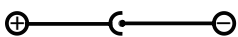
Li-Ion

Batteries contain Li-ion. Waste batteries should be sorted for eco-friendly. Do not dispose of waste batteries as unsorted municipal waste.

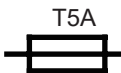
Warning symbols on the charger



The charger is for indoor use only.



Pole orientation



Protective 5A limited



Do not expose and operate the tool in rain.



Do not expose and operate the tool in rain.



Wait until all machine components have completely stopped before touching them. The blades continue to rotate after the machine is switched off, a rotating blade can cause injury.

IMPORTANT SAFETY INSTRUCTIONS

READ ALL INSTRUCTIONS BEFORE USING TRIMMER



WARNING - To reduce the risk of fire,

electric shock, or injury:

1. Replacement Parts - When servicing use only identical replacement parts.
2. Avoid Dangerous Environment - Don't use appliances in damp or wet locations.
3. Don't Use In Rain.
4. Keep Children Away - All visitors should be kept at a distance from work area.
5. Dress Properly - Do not wear loose clothing or jewelry. They can be caught in moving parts. Use of rubber gloves and substantial footwear is recommended when working outdoors. Wear protective hair covering to contain long hair.
6. Use Safety Glasses - Always use face or dust mask if operation is dusty.
7. Use Right Appliance - Do not use appliance for any job except that for which it is intended.
8. Don't Force Appliance - It will do the job better and with less likelihood of a risk of injury at the rate for which it was designed.
9. Don't Overreach - Keep proper footing and balance at all times.
10. Stay Alert - Watch what you are doing. Use common sense. Do not operate appliance when you are tired.
11. Maintain Appliance With Care - Keep cutting edge sharp and clean for best performance and to reduce the risk of injury. Follow instructions for lubricating and changing accessories. Keep handles dry, clean, and free from oil and grease.
12. Check Damaged Parts - Before further use of the appliance, a guard or other part that is damaged should be carefully checked to determine that it will operate properly and perform its intended function. Check for alignment of moving parts, binding of moving parts, breakage of parts, mounting, and any other condition that may affect its operation. A guard or other part that is damaged should be properly repaired or replaced by an authorized service center unless indicated elsewhere in this manual.

SAVE THESE INSTRUCTIONS

GENERAL POWER TOOL SAFETY WARNINGS



WARNING: Read all safety warnings and instructions. Failure to follow the warnings and instructions may result in electric shock, fire and/or serious injury.

Save all warnings and instructions for future reference.

Work area safety

1. Keep work area clean and well lit. Cluttered or dark areas invite accidents.
2. Do not operate power tools in explosive atmospheres, such as in the presence of flammable liquids, gases or dust. Power tools create sparks which may ignite the dust or fumes.
3. Keep children and bystanders away while operating a power tool. Distractions can cause you to lose control.

Electrical safety

1. Power tool plugs must match the outlet. Never modify the plug in any way. Do not use any adapter plugs with earthed (grounded) power tools. Unmodified plugs and matching outlets will reduce risk of electric shock.
2. Avoid body contact with earthed or grounded surfaces, such as pipes, radiators, ranges and refrigerators. There is an increased risk of electric shock if your body is earthed or grounded.
3. Do not expose power tools to rain or wet conditions. Water entering a power tool will increase the risk of electric shock.
4. Do not abuse the cord. Never use the cord for carrying, pulling or unplugging the power tool. Keep cord away from heat, oil, sharp edges or moving parts. Damaged or entangled cords increase the risk of electric shock.
5. When operating a power tool outdoors, use an extension cord suitable for outdoor use. Use of a cord suitable for outdoor use reduces the risk of electric shock.
6. If operating a power tool in a damp location is unavoidable, use a residual current device (RCD) protected supply. Use of an RCD reduces the risk of electric shock.

NOTE: The term "residual current device(RCD)" may be replaced by the term "ground fault circuit interrupter (GFCI)" or "earth leakage circuit breaker(ELCB)"

Personal safety

1. Stay alert, watch what you are doing and use common sense when operating a power tool. Do not use a power tool while you are tired or under the influence of drugs, alcohol or medication. A moment of inattention while operating power tools may result in serious personal injury.
2. Use personal protective equipment. Always wear eye protection. Protective equipment such as dust mask, non-skid safety shoes, hard hat, or hearing protection used for appropriate conditions will reduce personal injuries.
3. Prevent unintentional starting. Ensure the switch is in the off-position before connecting to power source and/or battery pack, picking up or carrying the tool. Carrying power tools with your finger on the switch or energising power tools that have the switch on invites accidents.
4. Remove any adjusting key or wrench before turning the power tool on. A wrench or a key left attached to a rotating part of the power tool may result in personal injury.
5. Do not overreach. Keep proper footing and balance at all times. This enables better control of the power tool in unexpected situations.
6. Dress properly. Do not wear loose clothing or jewellery. Keep your hair, clothing and gloves away from moving parts. Loose clothes, jewellery or long hair can be caught in moving parts. Dress proper footwear.
7. If devices are provided for the connection of dust extraction and collection facilities, ensure these are connected and properly used. Use of dust collection can reduce dust-related hazards.

Power tool use and care

1. Do not force the power tool. Use the correct power tool for your application. The correct power tool will do the job better and safer at the rate for which it was designed.
2. Do not use the power tool if the switch does not turn it on and off. Any power tool that cannot be controlled with the switch is dangerous and must be repaired.
3. Disconnect the plug from the power source and/or the battery pack from the power tool before making any adjustments, changing accessories, or storing power tools. Such

preventive safety measures reduce the risk of starting the power tool accidentally.

4. Store idle power tools out of the reach of children and do not allow persons unfamiliar with the power tool or these instructions to operate the power tool. Power tools are dangerous in the hands of untrained users.
5. Maintain power tools. Check for misalignment or binding of moving parts, breakage of parts and any other condition that may affect the power tool's operation. If damaged, have the power tool repaired before use. Many accidents are caused by poorly maintained power tools.
6. Keep cutting tools sharp and clean. Properly maintained cutting tools with sharp cutting edges are less likely to bind and are easier to control.
7. Use the power tool, accessories and tool bits etc. in accordance with these instructions, taking into account the working conditions and the work to be performed. Use of the power tool for operations different from those intended could result in a hazardous situation.

Battery tool use and care

1. Recharge only with the charger specified by the manufacturer. A charger that is suitable for one type of battery pack may create a risk of fire when used with another battery pack.
2. Use power tools only with specifically designated battery packs. Use of any other battery packs may create a risk of injury and fire.
3. When battery pack is not in use, keep it away from other metal objects, like paper clips, coins, keys, nails, screws or other small metal objects, that can make a connection from one terminal to another. Shorting the battery terminals together may cause burns or a fire.
4. Under abusive conditions, liquid may be ejected from the battery; avoid contact. If contact accidentally occurs, flush with water. If liquid contacts eyes, additionally seek medical help. Liquid ejected from the battery may cause irritation or burns.
5. Use only with the battery packs and chargers listed below:

Battery pack	Charger
YF60VRX2.5-BAT	YF60VRX2A-CHG

Service

- a) Have your power tool serviced by a qualified repair person using only identical replacement parts. This will ensure that the safety of the power tool is maintained.

CORDLESS GRASS TRIMMER SAFETY**WARNINGS**

1. Read the instructions carefully
2. Be familiar with the controls and proper use of the equipment
3. Wear protective goggled or goggles
4. Never allow children or people unfamiliar with the instructions to use the machine .
5. Stop using the machine while people. Especially children or pets are nearby
6. Only use the machine in daylight or good artificial light. Never use when visibility is bad.
7. Before using the machine and after any impact . check for the signs of wear or damage and repair as necessary
8. Never operate the machine with damaged guards or without the guards in place.
9. Keep hands and feet away from the cutting means at all times and especially when switching on the motor.
10. Take care against injury from any device fitted for trimming the filament line length. After extending new cutter line always return the machine to its normal operating position before switching on
11. Never fit metal cutting elements. Only use 2.3mm rounded nylon line.
12. Never use replacement parts or accessories not provided or recommended by the manufacturer.
13. Ensure that the battery pack has been removed before checking , cleaning or working on the machine and when it is not in use.
14. Always ensure that ventilation openings are kept clear of debris.
15. During assembly take great care when fitting the guard as this has a very sharp cutting edge on one side for cutting the nylon line.
16. Never hold the cutter head above foot height or point it towards people or animals when in use.
17. If the trimmer starts to vibrate excessively switch off immediately and have it checked by a qualified service engineer.
CAUTION: The cutting head continues to rotate for a few seconds after switching off.
18. Always remove any sticks and stones etc. before using the trimmer.

19. Do not cross roads or gravel paths while operating trimmer.
20. On steep slopes cut across the slope, never in an up and down direction. Never run while using the trimmer.
21. Never use the trimmer while it is raining or in damp weather.
22. Do not overreach, keep proper footing and balance at all times.
23. Use only genuine spare parts. Only these spare parts are designed and suitable for the product. The use of other spare parts not only voids the warranty, but also endanger yourself and your environment.
24. Never use of appliance for edging operation.

Special Operation safety for the charger

1. Recharge only with the charger specified by the manufacturer. Do not use the original charger on other li-ion batteries or on any other type of battery—fire or explosion may occur.
2. Check the battery charger, cable and plug each time before using. Do not use the battery charger when defects are detected. Do not open the battery charger yourself and have it repaired only by qualified personnel using original spare parts.
3. The charger is designed to use standard household 100~240 V, 50/60 Hz power source. The charger's plug must match the outlet. Never modify the plug in any way. Unmodified plugs and matching outlets will reduce risk of electric shock.
4. Do not abuse the cord of charger. Never use the cord for carrying, pulling or unplugging the charger. Keep cord away from heat, oil, sharp edges or moving parts. Damaged or entangled cords increase the risk of electric shock.
5. Make sure the charger cord is located so that it will not be stepped on, tripped over, or otherwise subjected to damage or stress.
6. Keep the battery charger clean. Contamination may cause the danger of electric shock.
7. Protect the battery charger from rain and moisture. The penetration of water in a battery charger increases the risk of electric shock.
8. Do not operate the battery charger on easily inflammable surfaces (e.g. paper, textiles, etc.) or in combustible environments. There is danger of fire due to the heating of the battery charger during charging.

9. The temperature range over which the battery pack can be charged is typically 41 °F - 113 °F. Therefore, charging efforts outside the prescribed temperature range may automatically be blocked by the protection circuitry of the battery pack. Longest life and best performance can be obtained if the battery pack is charged in the normal room condition.
 10. Disconnect charger from the power supply when not in use. This will reduce the risk of electric shock or damage to the charger if metal items should fall into the opening.
 11. The charger is for indoor use only.
10. When battery pack is not in use, keep it away from other metal objects, lie paperclips, coins, keys, nails, screws or other small metal objects, that can make a connection from one terminal to another. Shorting the battery terminals together may cause burns or a fire.

Special Operation safety for the battery pack

1. The Li-ion battery pack is not fully charged at the factory. Before attempting to use it ,it must be fully charged firstly.
2. The battery pack should be recharged when it fails to produce sufficient power on jobs which were easily done previously. DO NOT CONTINUE using product with its battery in a depleted condition.
3. Do not charge the battery in an air temperature below 41 °F or above 113 °F. This is important and will prevent serious damage to the battery. Longest life and best performance can be obtained if the battery is charged when air temperature is about 68 °F.
4. When the machine continues to be used and the battery temperature is above 113 °F, the battery can not be charged, even you put on the charger. Let the machine cool for some times and wait the temperature reduced, it can be charged again .
5. Protect the battery pack against heat, e.g. including against continuous sun irradiation and fire. There is a danger of explosion.
6. Do not carry individual battery packs in your pockets or bags, as they could short-circuit against other metal items.
7. If an exposed li-ion battery pack dose start a fire, it will burn even more violently if it comes into contact with water or even the moisture in the air. DO NOT throw water on a burning li-ion battery! A fire extinguisher must be used.
8. If the battery pack becomes too hot to the touch during charging, disconnect and switch off immediately. Contact Service Centre directly.
9. Do not open the battery yourself. There is danger of a short circuit.



WARNING: Battery posts, terminals

and related accessories contain lead and lead compounds, chemicals known to the State of California to cause cancer and birth defects or other reproductive harm. Wash hands after handling. For more information, go to www.P65Warnings.ca.gov.

ASSEMBLY



WARNING: If any parts are damaged

or missing, do not operate this product until the parts are replaced. Use of this product with damaged or missing parts could result in serious personal injury.



WARNING: Do not attempt to modify this

product or create accessories not recommended for use with this blower. Any such alteration or modification is misuse and could result in a hazardous condition leading to possible serious personal injury.



WARNING: Do not connect to power

supply until assembly is complete. Failure to comply could result in accidental starting and possible serious personal injury.



WARNING: Read the Instruction Manual

for the attachment used on this power head and follow all warnings and instructions. Failure to follow all instructions may result in electric shock, fire and/or serious personal injury.



WARNING: Never install, remove, or

adjust the attachment while power head is running. Failure to stop the motor can cause serious personal injury. Never operate power

head without the attachment.

Note: Remove the battery if fitted before making any adjustments.

Installing the line trimmer attachment. (See Fig. 3)

1. Pull out the locking pin on the coupling connector and rotate it to stay on the collar top.
2. Loosen the coupling connector knob by rotating counterclockwise on the power head assembly.
3. Align the male square shaft inside the line trimmer attachment to the female square hole inside the coupling connector and insert the line trimmer attachment to the coupling connector completely.
4. Pull out the locking pin and rotate it to leave the collar top.
5. Rotate the line trimmer attachment until an audible 'click' to tell the locking pin is in locking position.

Note! You may have to rotate the shaft to find the right position for the pin to lock!

6. Re-tighten the connector knob and make sure the attachment is fully secured in place.

Removal of the line trimmer attachment (See Fig. 4)

1. Stop the line trimmer and remove the battery pack from the machine.
2. Loosen the coupling connector knob by rotating counterclockwise.
3. Pull out the locking pin on the coupling connector and rotate it to stay on the collar top.
4. Pull out the line trimmer attachment on any purpose.

Installing auxiliary handle (See Fig. 5)

1. Uninstall the bolts on the auxiliary handle.
2. Install the auxiliary handle on the Shaft and then tighten the bolts with nut and make sure the auxiliary handle is firmly secured in place.

OPERATION

Inserting and removing the battery pack

To insert the battery pack

1. Align the groove on the battery pack with the

corresponding mounting ribs and press the battery pack down until you hear a "click".

2. Check to make sure the battery pack is firmly secured into position.

To remove the battery pack from the tool (See Fig. 6)

1. Depress the battery releasing/locking button on the housing.
2. The battery pack will pop up automatically.
3. Lift and hold the battery pack while pressing the releasing/locking button again, and then remove the battery pack.

Note! The second operation that needs to be performed when removing the battery pack is to avoid any misoperations at work, especially for the 60VRX hand-held tools, in case the battery pack falls and hurts consumers.

Switching On/Off



WARNING!

Before operating the unit, remove stones, loose pieces of wood and other objects from the cutting area.

To switch ON(See Fig. 7)

1. Depress the safety lock button-A and squeeze the switch trigger-B at the same time.
2. Select your required speed setting by depressing the speed adjustment button.
3. Move your thumb away from the safety button.

To switch OFF

- Release the on/off trigger switch.

NOTE: Always switch off line trimmer before placing it down.

Speed adjustment (See Fig. 8)

This line trimmer has 3 speed settings which can be changed with a press of the button.

1. Ensure the line trimmer is switched ON.
2. Press the speed adjustment button and set to your desired cutting speed.
3. If the speed is set to the highest speed, press the speed adjust button again and this will reduce to the lowest speed.

To Increase Line Length

1. The line trimmer comes with a full line pool.
2. The line will wear in use and you will need to feed out new line .
3. The cutting bump head allows the operator to release more line without stopping the motor. As line becomes frayed or worn, additional line can be released by tapping the bump knob on the ground while operating the line trimmer.

NOTE: For a good cutting performance. Cut high grass in stages. Starting from the tip.

Special notice for line trimmer use

1. For best results, do not cut wet grass because it tends to stick to the cutting head and guard, prevents proper discharge of grass trimmings, and could cause you to slip and fall.
2. Pay special attention when performing the work close to trees and bushes. The cutting head could damage sensitive bark, and damage fence posts.

Removing/replacing the cutting bump head



WARNING: Before performing any assembly, always ensure that the battery pack has been removed.

If the nylon cutting line is broken and the nylon spool needs replacing.



WARNING: wearing working gloves when doing any replacements.

Note! Always use Yard Force branded service replacement parts - to prevent voiding your warranty.

1. Line up the safety spacer hole up with the hole on the side of guard. (See Fig. 9)
2. Place a small screw driver or metal rod in the spacer hole. (See Fig. 10)
3. Rotate the head clockwise to loosen and remove.
4. Reverse steps 1 - 3 to reinstall the same cutting bump head.
5. Make sure that the cutting head is securely located.

Removing /replacing trimmer line

1. Press two release tabs simultaneously on the cutting bump head and pull the spool cover out. (See Fig.11)
2. Remove the spool from the spool retainer, keep the spring in position. (See Fig.12). Clean any remaining line, dirt and debris, replace the spool if damaged.
3. Take approximately 16 ft. of 0.095" diameter line and insert the midpoint into the slot bottom in the central rim of the spool. (See Fig.13 &14)
4. Wrap the line evenly and firmly around the spool as per the arrowhead direction (clockwise when tap button towards you) on both grooves.
5. Position the lines in the guide slots with 3~5 inch line left.
6. Insert the ends of the lines through the line exit holes in the side of spool container.
7. Place the spool back into the spool container, make sure the spring is in position.
8. Reinstall the spool cover back and push it until cover snaps into place.

STORING AND MAINTENANCE



WARNING !

Before performing any repair work, always remove the battery pack and wait until the cutting line has come to a standstill!

1. Do not spray the line trimmer with water. Ingress of water may destroy the battery pack and the electric motor.
2. Clean the unit with a cloth, hand brush, etc.
3. Keep all nuts, bolts and screws tight to be sure the equipment is in safe working condition;
4. Replace worn or damaged parts for safety.

Storage:

Clean the exterior of the machine thoroughly using as of brush and cloth, Do not use water, solvents or polishes.
Store the machine in a dry place. Do not place other objects on top of the machine.

Transport

Use the original packaging to ship whenever possible.

TROUBLE SHOOTING



WARNING !

Before performing any repair work, always ensure that the battery pack/safety key has been removed and wait until the cutting head has stopped completely and the tool has cooled down.



WARNING !

Always wear heavy duty gloves when adjusting or cleaning, especially when handling sharp objects.

Fault/malfunction	Cause	Remedy
Product does not start	Battery discharged?	Remove and recharge the battery.
	The battery is not correctly located.	Remove the battery and re-install into the product, check that it is securely locked in place.
	Device defective?	Contact service partner.
	Safety lock not depressed prior to starting.	Restart machine by firstly depressing the lock button and then depressing the switch trigger.
	Motor overload protection activated.	Wait 10 mins and then restart the machine.
The tool is vibrating	The guard is not fitted -resulting in too much line be extended.	Remove the battery pack and fit the guard.
	Bigger diameter cutting line being used.	Use correct cutting line dia --0.095" (0.080" Compatible).
	The cutting head is bound up with grass.	Remove the battery pack and clean grass from the cutting head.
The trimmer will not advance line	The spool is empty or there is NOT enough line on the spool.	STOP the trimmer – remove the battery pack and reload the spool with correct size /length of line.
	The line on the cutting head spool is twisted /tangled on the spool.	STOP the trimmer -remove the battery pack and check the spool line.
	Trimmer head is dirty.	STOP the trimmer -remove the battery pack and clean the cutting head.
Grass wrapped around cutting head	Cutting too tall grass in one pass.	Recommend to cut smaller amounts of grass height -starting from the top and working downwards.
Line is not cutting	Trimmer guard blade is worn.	Sharpen blade OR replace with New blade.

WARRANTY

Product Warranty

Please keep your original purchase receipt in a safe place as proof of purchase.

Warranty coverage for this product must be verified by the original purchase receipt.

The warranty period begins on the day that the product was purchased from an authorized retailer of Yard Force products. Warranty coverage only applies to the original purchaser and is not transferrable.

Warranty coverage is only provided on products purchased from authorized Yard Force retailers.

Warranty only applies to products purchased and OPERATED in the USA. Any product purchased or operated outside of the USA is not covered by any warranty.

(1) Five-Year Warranty on Yard Force Outdoor Power Equipment and Three-Year Warranty on 60vRX Battery Pack and Adapter

The Yard Force Outdoor Power Equipment has a Five-Year Limited Warranty and 60vRX Battery Pack and Adapter has a Three-Year Limited Warranty from the date of purchase against manufacturer defects for residential use only. Commercial use voids the warranty. This warranty does not cover accidental damage, unreasonable use, normal wear and tear, neglect or non-compliance with the Operating, Safety and Maintenance Instructions. All service, outside of normal maintenance as described in this manual, must be done by an authorized service technician. Any unauthorized service or changes to the original configuration of this product will void the warranty. All parts and accessories used on and with this product must be manufactured and/or authorized by Merotec Inc.

(2) Ninety-Day Warranty – Accessories

The accessories included with the machine including cutting head, shoulder harness and safety guard, and other similar parts are warranted against manufacturer defects for residential use only for a period of 90 days from date of purchase.

Warranty does not cover loss of use or other consequential damages arising from any of the above, nor does it cover repairs made or attempted by unauthorized persons.

This warranty is void if the product is used for commercial, rental or industrial purposes.

Certain parts, attachments and accessories are subject to normal wear and tear and are excluded from the warranty.

Service and Warranty Claims Process

Contact the Yard Force Support Center toll-free at **(866) 902-9690 Monday-Friday between 8:30 AM and 5:00 PM Eastern Time** for service and warranty support.

Yard Force Service Support agents can help you troubleshoot problems over the phone to get you back up and running as quickly as possible. In the situation where service or warranty inspection is needed, please follow these steps:

1. Call Yard Force at **(866) 902-9690 Monday-Friday between 8:30 AM and 5:00 PM Eastern Time**.
2. Send in proof-of-purchase and serial number (if applicable) to confirm warranty Coverage as directed by Yard Force.
3. If service or a warranty evaluation is requested, Yard Force will provide an RGA number that should be used in all communications with Yard Force and is required to be indicated on the product itself and on the outside of the box.
4. All shipments to Yard Force must have an RGA number. Any shipment received that does not have an RGA number clearly marked on the outside of the box will be refused.
5. All shipments must be sent pre-paid, Yard Force does not pay for any shipping costs for service or warranty evaluation. Yard Force is not responsible for any packages that are lost by carrier. We recommend that shipments are made by a carrier that provides tracking and delivery confirmation.

For more information or to ask questions, please call toll-free **(866) 902-9690 Monday-Friday between 8:30 AM and 5:00 PM Eastern Time**.

SAVE THESE INSTRUCTIONS



1-866-902-9690



support@merotecusa.com

Need Help?

Please do not return the product to the place of purchase yet.
We're here to help and take care of all your needs.

Contact our Customer Care Center in Atlanta, GA for help with:

- Product assembly or use
- Missing or damaged parts
- Troubleshooting

You can also visit our website to download
owner's manuals and get additional product information.
Visit www.YardForceUSA.com, or call our
toll free hotline: 1-866-902-9690 M-F 8:30am – 5:00pm ET