



# YARD FORCE®

LAWN & GARDEN EQUIPMENT

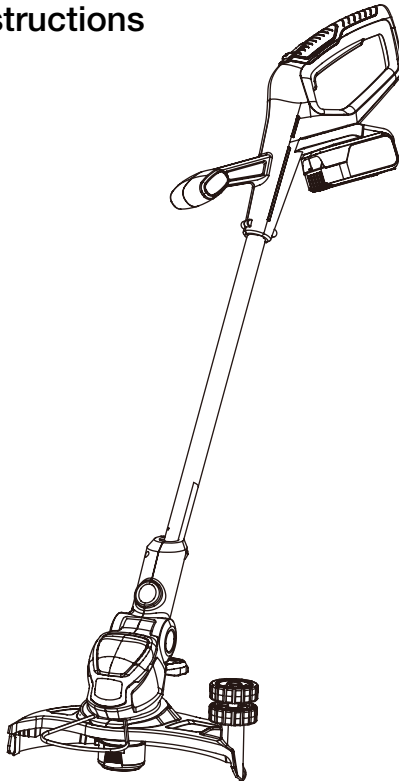
**LT G30W**

**N0F-GT-300/36-A**

**GB**

## **40V CORDLESS GRASS TRIMMER**

**Original Instructions**



**READ & UNDERSTAND  
INSTRUCTION MANUAL**



**Save all warnings and instructions for future reference.**

# YARD FORCE

## LT G30W Original Instructions

### TABLE OF CONTENTS

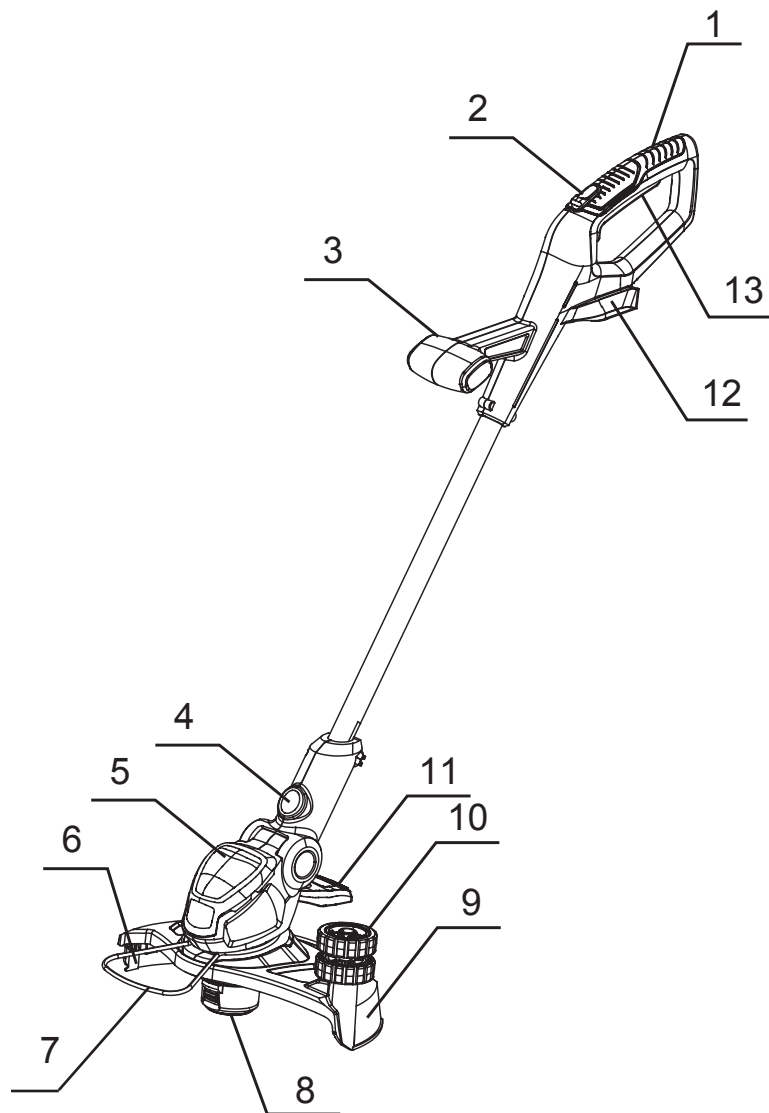
Description of Product Parts	2
Technical Specifications	4
Intended use	4
Safety Information	5
Assembly	14
Adjustment	16
Operation	17
Storing and Maintenance	21
Troubleshooting	22
EC Declaration of Conformity	23



Read this manual carefully prior to assembling and operating the grass trimmer. It is dangerous to operate this product without being familiar with these instructions. Keep this manual in a safe place and have it ready for future reference.

## DESCRIPTION OF PRODUCT PARTS

Fig 1



## DESCRIPTION OF PRODUCT PARTS

### Parts List

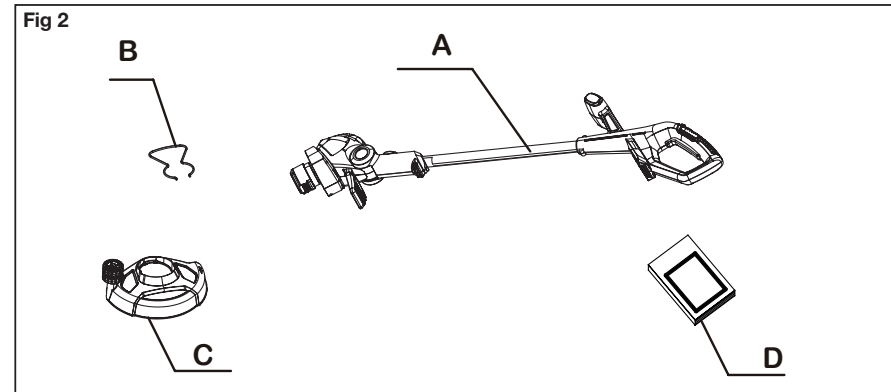
As shown in Fig 1

- |                                   |                                       |
|-----------------------------------|---------------------------------------|
| 1. Main handle                    | 10. Edging wheel                      |
| 2. Safety switch                  | 11. Pedal board                       |
| 3. Front handle                   | 12. Battery pack receptacle on device |
| 4. Edging function convert button | 13. Main switch                       |
| 5. Pivoting head                  |                                       |
| 6. Line trimming blade            |                                       |
| 7. Flower protector               |                                       |
| 8. Line spool cover               |                                       |
| 9. Safety guard                   |                                       |

### Check the delivery parts

As shown in Fig 2

Carefully remove the machine from its packaging and check that the following parts are complete:



- A. Grass trimmer (with 4pcs safety guard mounting screw)  
 B. Flower protector  
 C. Safety guard  
 D. Manual



**WARNING:** If any parts are damaged or missing, do not operate this tool until the missing parts are replaced. Failure to heed this warning could result in serious personal injury.



**NOTE!** Always recycle the packaging in accordance with local recycling schemes.

## TECHNICAL SPECIFICATIONS

<b>Model Number</b>	<b>LT G30W / N0F-GT-300/36-A</b>
Nominal voltage of product with battery	40 V d.c. 2.5Ah
No load speed	8000 min <sup>-1</sup>
Cutting width	300 mm
Cutting line dia.	1.4mm
Sound pressure level(L <sub>pA</sub> )	90.5 dB(A) K=3.0 dB(A)
Power sound level(L <sub>WA</sub> )	96 dB(A) K=3.0 dB(A)
Net weight	2.4 kg with battery pack
Vibrations	2.5 m/s <sup>2</sup> K=1.5 m/s <sup>2</sup> *
<b>Battery charger (not include)</b>	<b>B0Q-SP02-36</b>
Input voltage & current	220-240V~, 50/60Hz 100W
Output voltage & current	DC 40V 2A
Charger time	90 mins

\* The following information :

That declared vibration total value has been measured in accordance with a standard test method and may be used for comparing one tool with another.

That declared vibration total value may also be used in a preliminary assessment of exposure.

A warning :

The vibration emission during actual use of the power tool can differ from the declared total value depending on the ways in which the tool is used, and

Of the need to identify safety measures to protect the operator that are based on an estimation of exposure in the actual conditions of use( taking account of all parts of the operating cycle such as the times when the tool is switched off and when it is running idle in addition to the trigger time).

## INTENDED USE

The product is intended for cutting weed, grass or similar soft vegetation in areas that are hard to reach, e.g. under bushes, on slopes and edges. It may not be used to work on unusual thick, dry or wet grass, e.g. pasture grass, or to shred leaves.

For safety reasons it is essential to read the entire instruction manual before first operation and to observe all the instructions therein.

This product is intended for private domestic use only, not for any commercial trade use. It must not be used for any purposes other than those described.

## SAFETY INFORMATION

### IMPORTANT

**Please read these instructions fully before assembling and operating.**

### Description of Symbols

Symbols are used in this manual to attract your attention to possible risks. The safety symbols and their explanations deserve your careful attention and full understanding. The warning themselves do not prevent the risks and cannot be a substitute for proper methods of avoiding accidents.

### Warning symbols on the machine



Before any use, refer to the corresponding paragraph in the present manual.



This symbol, before a safety comment, indicates a precaution, a warning or a danger. Ignoring this warning can lead to an accident for yourself or for others. To limit the risk of injury, fire, or electrocution always apply the recommendations indicated.



This symbol indicates the requirement of wearing ear protection and eye protection when using the product.



Avoid using tool in the rain.



Beware of thrown or flying objects to bystanders. Keep all bystanders a safe distance from the operating machine.

## SAFETY INFORMATION



Objects thrown by the product could hit the user or other bystanders. Always ensure that other people and pets remain at a safe distance from the product when it is in operation. In general, children must not come near the area where the product is.



Guaranteed sound power level value in 96 dB.



Waste electrical products should not be disposed of with household waste. Please recycle where facilities exist. Check your Local Authority or retailer for recycling advice.

## SAFETY INFORMATION

### Safety Instruction

#### GENERAL POWER TOOL SAFETY



#### WARNING!

Read all safety warnings and all instructions. Failure to follow the warnings and instructions may result in electric shock, fire and/or serious injury.

Save all warnings and instructions for future reference.

The term “power tool” in the warnings refers to your mains-operated (corded) power tool or battery-operated (cordless) power tool.

#### Work area safety

1. **Keep work area clean and well lit.** Cluttered or dark areas invite accidents.
2. **Do not operate power tools in explosive atmospheres,** such as in the presence of flammable liquids, gases or dust. Power tools create sparks which may ignite the dust or fumes.
3. **Keep children and bystanders away while operating a power tool.** Distractions can cause you to lose control.

#### Electrical safety

1. **Power tool plugs must match the outlet. Never modify the plug in any way. Do not use any adapter plugs with earthed (grounded) power tools.** Unmodified plugs and matching outlets will reduce risk of electric shock.
2. **Avoid body contact with earthed or grounded**

## SAFETY INFORMATION

**surfaces, such as pipes, radiators, ranges and refrigerators.** There is an increased risk of electric shock if your body is earthed or grounded.

3. Do not expose power tools to rain or wet conditions. Water entering a power tool will increase the risk of electric shock.
4. Do not abuse the cord. Never use the cord for carrying, pulling or unplugging the power tool. Keep cord away from heat, oil, sharp edges or moving parts. Damaged or entangled cords increase the risk of electric shock.
5. When operating a power tool outdoors, use an extension cord suitable for outdoor use. Use of a cord suitable for outdoor use reduces the risk of electric shock.
6. If operating a power tool in a damp location is unavoidable, use a residual current device (RCD) protected supply. Use of an RCD reduces the risk of electric shock.

NOTE: The term “residual current device(RCD)” may be replaced by the term “ground fault circuit interrupter (GFCI)” or “earth leakage circuit breaker(ELCB)”

### Personal safety

1. **Stay alert, watch what you are doing and use common sense when operating a power tool. Do not use a power tool while you are tired or under the influence of drugs, alcohol or medication.** A moment of inattention while operating power tools may result in serious personal injury.
2. **Use personal protective equipment.** Always wear eye protection. Protective equipment such as dust mask, non-skid safety shoes, hard hat, or hearing

## SAFETY INFORMATION

protection used for appropriate conditions will reduce personal injuries.

3. **Prevent unintentional starting. Ensure the switch is in the off-position before connecting to power source and/or battery pack, picking up or carrying the tool.** Carrying power tools with your finger on the switch or energising power tools that have the switch on invites accidents.
4. **Remove any adjusting key or wrench before turning the power tool on.** A wrench or a key left attached to a rotating part of the power tool may result in personal injury.
5. **Do not overreach. Keep proper footing and balance at all times.** This enables better control of the power tool in unexpected situations
6. **Dress properly. Do not wear loose clothing or jewellery. Keep your hair, clothing and gloves away from moving parts.** Loose clothes, jewellery or long hair can be caught in moving parts.
7. **If devices are provided for the connection of dust extraction and collection facilities, ensure these are connected and properly used.** Use of dust collection can reduce dust-related hazards.

### Power tool use and care

1. **Do not force the power tool. Use the correct power tool for your application.** The correct power tool will do the job better and safer at the rate for which it was designed.

## SAFETY INFORMATION

- 2. Do not use the power tool if the switch does not turn it on and off.** Any power tool that cannot be controlled with the switch is dangerous and must be repaired.
- 3. Disconnect the plug from the power source and/or the battery pack from the power tool before making any adjustments, changing accessories, or storing power tools.** Such preventive safety measures reduce the risk of starting the power tool accidentally.
- 4. Store idle power tools out of the reach of children and do not allow persons unfamiliar with the power tool or these instructions to operate the power tool.** Power tools are dangerous in the hands of untrained users.
- 5. Maintain power tools. Check for misalignment or binding of moving parts, breakage of parts and any other condition that may affect the power tool's operation. If damaged, have the power tool repaired before use.** Many accidents are caused by poorly maintained power tools.
- 6. Keep cutting tools sharp and clean.** Properly maintained cutting tools with sharp cutting edges are less likely to bind and are easier to control.
- 7. Use the power tool, accessories and tool bits etc. in accordance with these instructions, taking into account the working conditions and the work to be performed.** Use of the power tool for operations different from those intended could result in a hazardous situation.

## SAFETY INFORMATION

### Battery tool use and care

- 1. Recharge only with the charger specified by the manufacturer.** A charger that is suitable for one type of battery pack may create a risk of fire when used with another battery pack.
- 2. Use power tools only with specifically designated battery packs.** Use of any other battery packs may create a risk of injury and fire.
- 3. When battery pack is not in use, keep it away from other metal objects,** like paper clips, coins, keys, nails, screws or other small metal objects, that can make a connection from one terminal to another. Shorting the battery terminals together may cause burns or a fire.
- 4. Under abusive conditions, liquid may be ejected from the battery; avoid contact.** If contact accidentally occurs, flush with water. If liquid contacts eyes, additionally seek medical help. Liquid ejected from the battery may cause irritation or burns.

### Service

- a) Have your power tool serviced by a qualified repair person using only identical replacement parts. This will ensure that the safety of the power tool is maintained.

**CORDLESS GRASS TRIMMER SAFETY WARNINGS**

1. Read the instructions carefully
2. Be familiar with the controls and proper use of the equipment.
3. Wear protective glasses or goggles
4. Never allow children or people unfamiliar with the instructions to use the machine.
5. Stop using the machine while people, especially children or pets, are nearby.
6. Only use the machine in daylight or good artificial light. Never use when visibility is bad.
7. Before using the machine and after any impact, check signs of wear or damage and repair as necessary.
8. Never operate the machine with damaged guards or without the guards in place.
9. Keep hands and feet away from the spinning spool at all times and especially when switching on the motor.
10. Take care against injury from any device fitted for trimming the filament line length. After extending new cutter line always return the machine to its normal operating position before switching on.
11. Never fit metal cutting elements.
12. Never use replacement parts or accessories not provided or recommended by the manufacturer.
13. Ensure that the battery pack has been removed before checking, cleaning or working on the machine and when it is not in use.
14. Always ensure that ventilation openings are kept

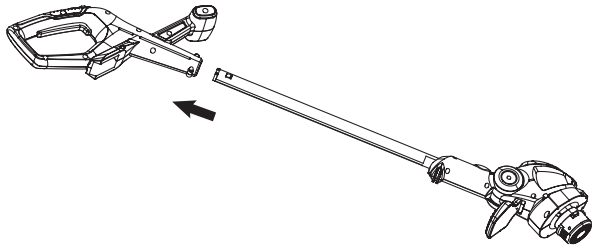
- clear of debris.
15. During assembly take great care when fitting the guard as this has a very sharp cutting edge on one side for cutting the nylon line.
16. Never hold the cutter head above foot height or point it towards people or animals when in use.
17. If the trimmer starts to vibrate excessively switch off immediately and have it checked by a qualified service engineer.  
CAUTION: The cutting head continues to rotate for a few seconds after switching off.
18. Always remove any sticks and stones etc... before using the trimmer.
19. Do not cross roads or gravel paths while operating trimmer.
20. On steep slopes cut across the slope, never in an up and down direction. Never run while using the trimmer.
21. Never use the trimmer while it is raining or in damp weather.
22. Do not overreach, keep proper footing and balance at all times.

## ASSEMBLY

### Assembling the rear housing (Fig 3)

Insert the pole into the rear housing. Before inserting, make sure the front handle is on the same side with the black cover of the power head. Then push hard the pole into the handle, when hear a click, the installation is completed. To make sure the pole has been inserted in the correct position, please check if the red arrow on the pole is just pointing the edge of upper handle.

Fig 3



### Assembling the safety guard (Fig 4)



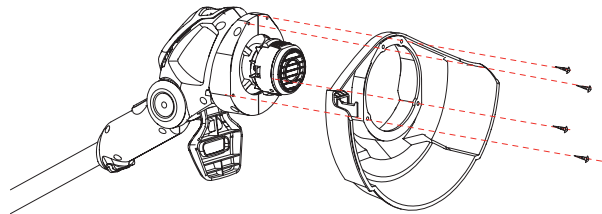
**WARNING!** The safety guard must be properly installed. The safety guard provides partial protection from the risk of thrown objects to the operator and others.



**WARNING!** If safety guard is not properly installed, damage to unit (including motor failure) will be result.

1. Remove four mounting screws from motor housing.  
Note: They are pre-mounted on the motor housing by factory to help end-user find them quickly. And send a message to end-user, where these four screws should be used for.
2. Fit the safety guard onto the motor housing.
3. Fix the safety guard in place by using four screws.

Fig 4



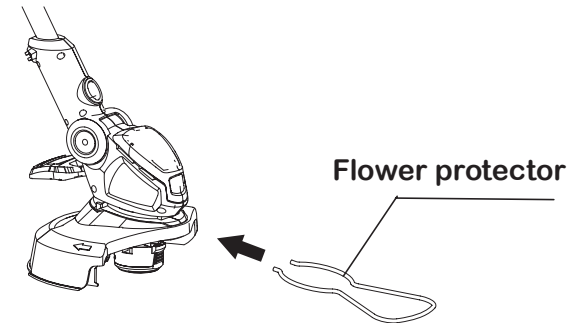
## ASSEMBLY

### Assembling the Flower protector (Fig 5)

The Flower protector is designed to protect flowers, trees and garden furniture and so on, which stay in your cutting area.

1. Align the flower protector with corresponding slot on the head of the device.
2. Push it in; Make sure that it sits in place securely.

Fig 5

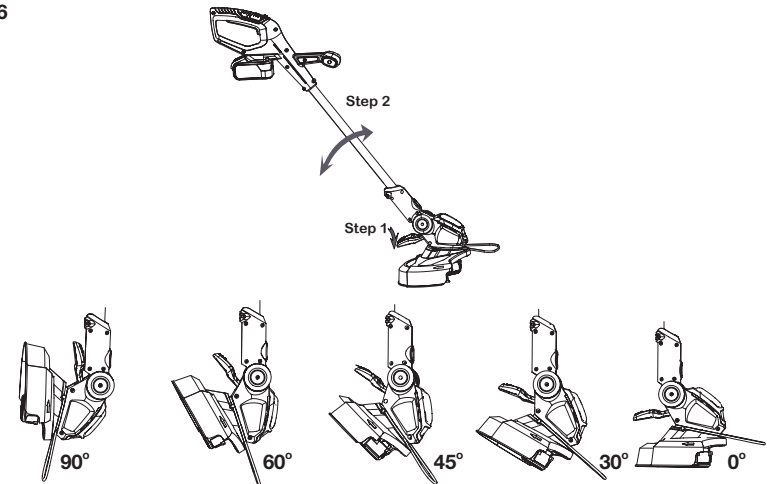


### Adjusting the operating angle of the cutting head (Fig 6)

The cutting head of this device can be stop in 5 positions in quick manner.

1. Depress the pedal board with your foot. Meanwhile, tilt the operating bar.
2. When it gets close to required position, release your foot from the pedal board,
3. Keep moving, the tongue of pedal board will fall into required position. At this moment, the cutting head has been fixed at new angle.

Fig 6



## ADJUSTMENT

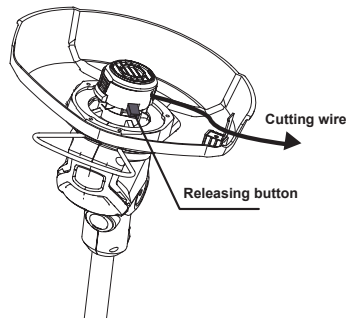
### Manual adjust the length of cutting line (Fig 7)

This device has an automatic line feeding system. (This function will be introduced in later section).

It also allows you to manual adjust the length of cutting line. Especially, at the beginning of work, due to the cutting line is too short, cannot be pull out by its centrifugal force. In this case, the function of manual adjust is quite useful.

Press the release button with one hand and pull out the nylon line with the other hand. This is viewed as one cycle. Each cycle you can pull several centimeters line out. It may require several cycles to get sufficient length of wire, so that the device can feed the cutting line automatically.

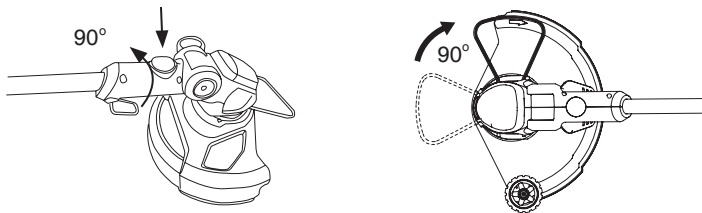
Fig 7



### Edging function (Fig 8)

1. Adjust the trimmer head to 90 degrees for edging by pressing the locking button.
2. Twist the plant protector to an angle of 90°.

Fig 8



## OPERATION

### Removing and inserting the battery pack (Fig 11)

**NOTE: Battery pack not included in the color box!**

#### To insert the battery pack

Align the battery pack with receptacle on the device. Push the battery pack toward it until hear click sound. It means the battery pack has been locked in position.

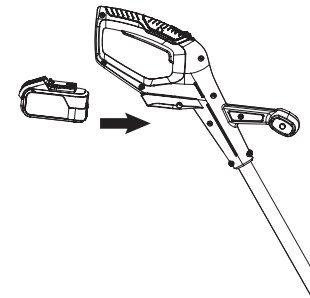


**WARNING:** make sure that the tool is "OFF"

#### To remove the battery pack from the tool

Press the battery pack release button downward, and pull the battery pack out to remove it.

Fig 11



### SWITCHING ON AND OFF (Fig 12)

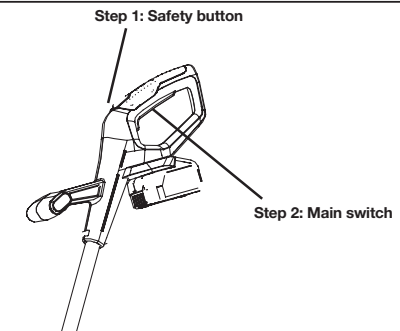
#### WARNING!

Before operating the device, remove stones, loose pieces of wood and other objects from the cutting area.

#### To switch on

1. Hold the product firmly in both hands.
2. To switch on the product, push the safety button forward with your thumb, and hold it in place, then press the main switch.

Fig 12



## OPERATION

### To switch off

Release the main switch.



**WARNING:** The trimmer runs on for several seconds after it has been switched off.

**NOTE:** Always switch off trimmer before placing it down.

**NOTE:** Do not carry the trimmer by the main switch.

### To Increase Line Length (Fig 13)

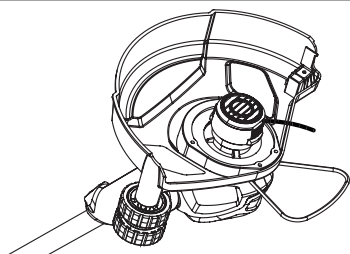
The grass trimmer comes with a full line spool.

The line wears down during work.

### To feed in new line

1. Switch on the device, the line will automatically be increased by the centrifugal force.
2. Switch off and switch on again until the line is increased to the right length. The trimmer line will be cut to the right length by the blade on the safety guard.

Fig 13



## Working Advice

### Cutting grass (Fig 14&15)

1. Always hold the trimmer at a safe distance from body and adopt a safe stance.
2. Switch on the unit.
3. Hold the trimmer at an angle of about 20° to the ground and guide the trimmer in a semi-circular motion around your standing position.

Fig 14

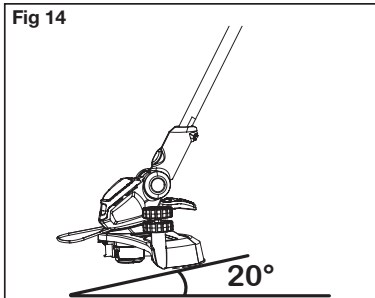
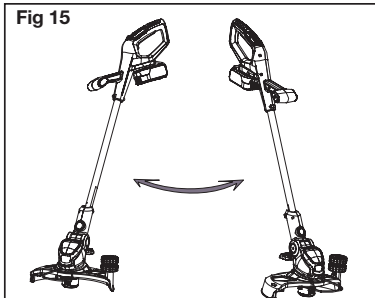


Fig 15

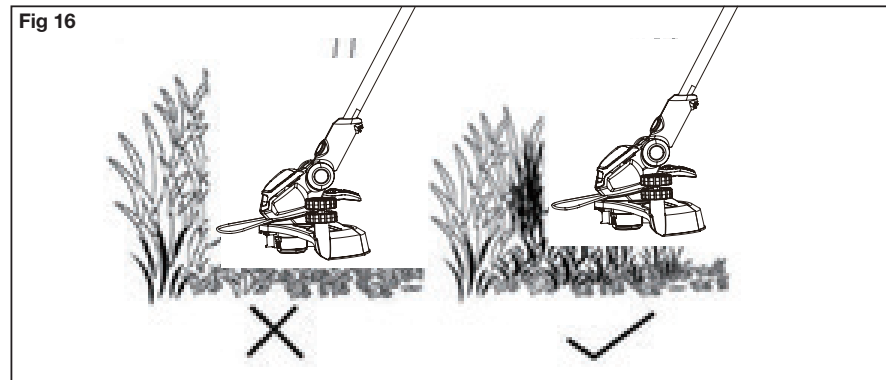


## OPERATION



**NOTE:** For a good cutting performance, cut high grass in stages. Starting from the tip. (Fig 16)

Fig 16



### Trimming Edges (Fig 17&18)

This grass trimmer can be not only used for trimming grass but also used for cutting the lawn edge.

Especially, when the lawn edge is close to wall, fence, etc.

The edging function of this device is very helpful, to deal with this kind of situation.

To get the cutting edge function.

1. Depress the edging function convert button, and hold it in place.
2. Turn the operating handle by 90°, for changing its function to edging mode. Then release the edging function convert button to lock it in place.

Now you have converted the grass trimmer to an edge trimmer for cutting the lawn edge.

Fig 17

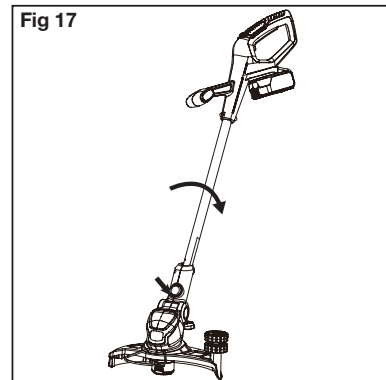
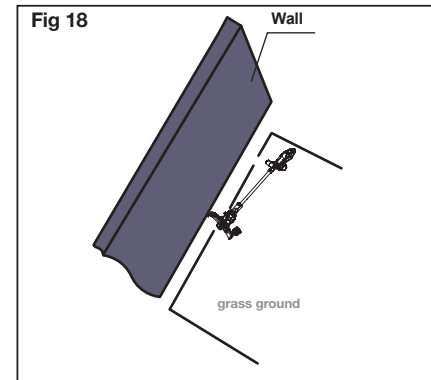


Fig 18

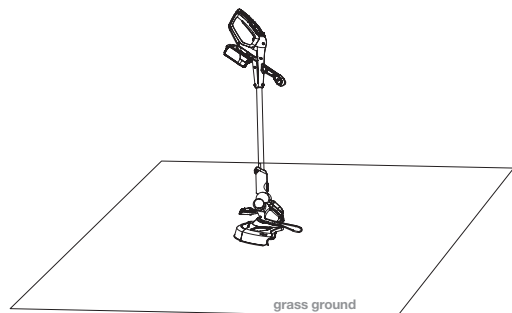


## OPERATION

### TIPS

1. For best results, do not cut wet grass because it tends to stick to the cutting head and guard, prevents proper discharge of grass trimmings, and could cause you to slip and fall.
2. Pay special attention when performing the work close to trees and bushes. The cutting head could damage sensitive bark, and damage fence posts.
3. Use the flower protector to avoid cutting device contact with hard objects such as walls and kerbstones.
4. If you want to have a rest for a short while during work time, find a flat ground, and adjust the operating handle to upright angle, this device can stand on ground by itself.

Fig 19



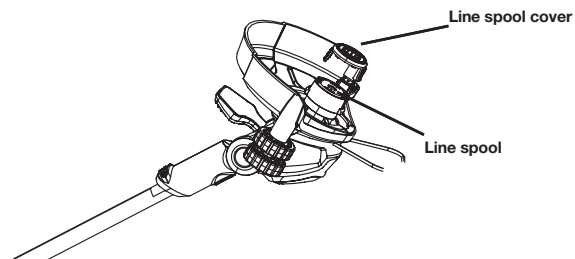
### Replacing The Nylon Line Spool

**WARNING:** Before performing any assembly. Always ensure that the battery pack has been removed. If the nylon cutting line is broken and the nylon spool needs replacing:

1. Press together the both locking devices at the spool cover and remove the spool cover. Remove the old spool.
2. Thread the new/refilled spool line through the eyehole in the trimmer head.
3. Fit the line spool in the trimmer head.
4. Refit the line spool cover.

**WARNING:** Never use steel, wire, rope, string, etc. which can break off and become a dangerous missile.

Fig 20



## STORING AND MAINTENANCE



**WARNING:** Before performing any repair work, always remove the battery pack and wait until the cutting blade has come to a standstill.

1. Do not spray the unit with water. Ingress of water may destroy the battery pack and the electric motor.
2. Clean the unit with a cloth, hand brush, etc.
3. Keep all nuts, bolts and screws tight to be sure the equipment is in safe working condition;
4. Replace worn or damaged parts for safety.

### Battery Maintenance:

Use the following procedures to enable optimum usage of the battery:

1. Protect the battery against moisture and water.
2. Store the battery only within a temperature range from 0°C to 45°C. As an example, do not leave the battery in a vehicle or in the trimmer in direct sunlight.
3. Clean the ventilation slots of the battery occasionally with a soft, clean and dry brush. A considerably shortened operating time after charging is an indication that the battery is exhausted and must be replaced.
4. If you do not use the product for a long time, please charge and discharge the battery park once every 6 months.

### Storage

Clean the exterior of the machine thoroughly using a soft brush and cloth, Do not use water, solvents or polishes.

Store the machine in a dry place. Do not place other objects on top of the machine.

### Transport

Use the original packaging to ship whenever possible.

### Consumable parts list

We offer 6 months of warranty period for consumable parts of this machine, consumable parts are as follows:

Spool
Battery
Charger

## TROUBLE SHOOTING

### Troubleshooting



**WARNING!**

Before performing any repair work, always remove the battery pack and wait until the cutting line has come to a standstill.

**Caution!**

Improper repairs can result in the product functioning unsafely. This endangers yourself and your environment.

Faults which cannot be rectified with the aid of following table may be rectified by a specialist company only (customer service center).

Please be aware that any improper repairs will also invalidate the warranty and additional costs may be incurred.

Use only genuine spare parts. Only these spare parts are designed and suitable for the product. The use of other spare parts not only voids the warranty, you can also endanger yourself and your environment.

Fault/malfunction	Cause	Remedy
Product not running.	Battery discharged?	Charge rechargeable battery.
	Battery pack does not sit its place correctly	Install the battery pack once again
	Device defective?	Contact service partner.
The tool is vibrating	The tool is clean?	Clean the tool, remove grass in between the Line Spool and the safety Guard
	There are more grasses accumulated in the line spool and safety guard?	
	Does the Line spool have been installed correctly?	Insert the Line Spool correctly.

## DECLARATION OF CONFORMITY

**We**  
**Sumec UK**  
**Unit A&B Escrick Business Park**  
**Escrick, York YO19 6FD**

**Declare that the product:**

Description: 40V CORDLESS GRASS TRIMMER  
 Model No: N0F-GT-300/36-A / LT G30W  
 Function: Cutting grass


**Complies with essential health and safety requirements of the following directives:**

Machinery Directive 2006/42/EC  
 Low Voltage Directive 2014/35/EU  
 EMC Directive 2014/30/EU  
 EC 2011/65/EU and Its amendment Directive (EU) 2015/863(RoHS)  
 Noise Emission in the Environment by Equipment for Use Outdoors Directive 2000/14/EC amended by 2005/88/EC  
 Measured sound power level: 90.5 dB (A)  
 Declared Guaranteed Sound Power Level: 96 dB (A)

**Standards and technical specification referred to:**

EN 60335-1: 2012+A11:2014  
 EN 60335-2-29: 2004+A2:2010  
 EN 50636-2-91: 2014  
 EN 62233: 2008  
 EN 55014-1: 2006+A1:2009+A2:2011  
 EN 55014-2: 2015  
 EN 61000-3-2: 2014  
 EN 61000-3-3: 2013

Authorized Signatory

Signature: 

Place: YORK  
 Name: Mariana Hall  
 General Manager  
 Date: 2019-09-18



SUMEC UK  
 Unit A&B Escrick Business Park  
 Escrick, York, YO19 6FD