



# YARD FORCE®

LAWN & GARDEN EQUIPMENT

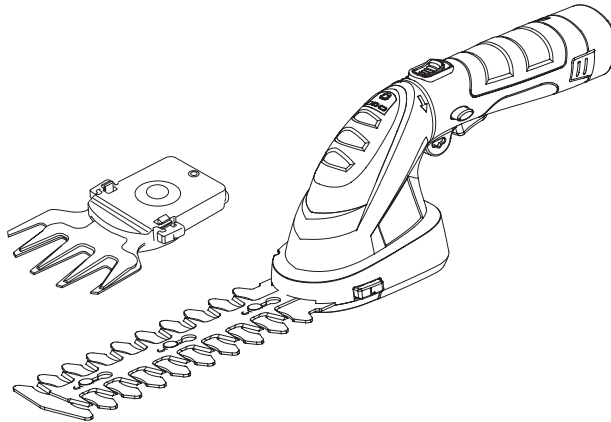
**LH A17**

**NOE-20ET-7.2**

**GB**

## **CORDLESS GRASS SHEAR**

**Original Instructions**



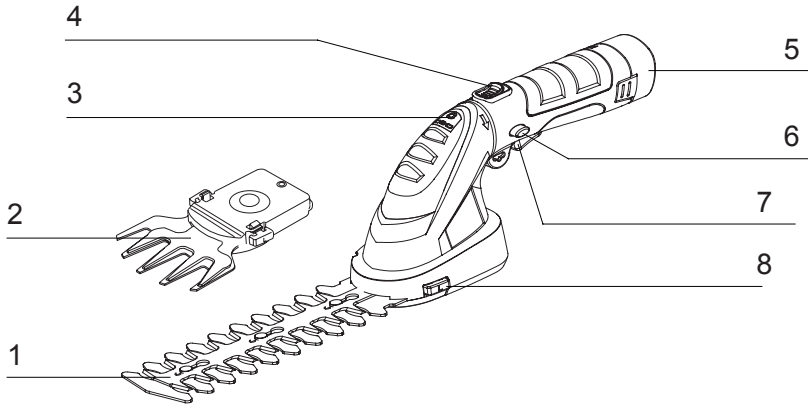
**READ & UNDERSTAND  
INSTRUCTION MANUAL**

**Save all warnings and instructions for future reference.**

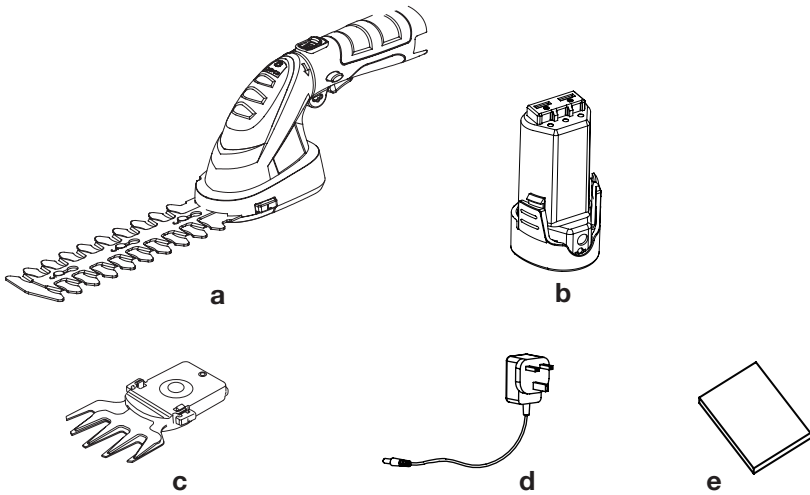


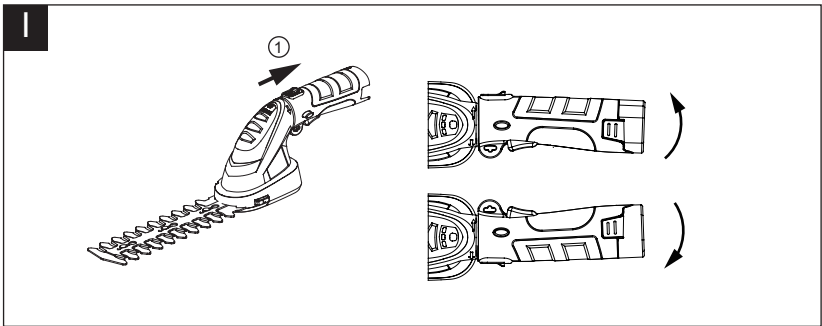
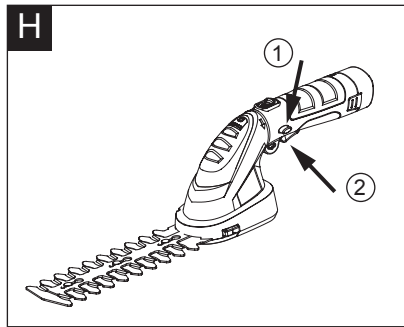
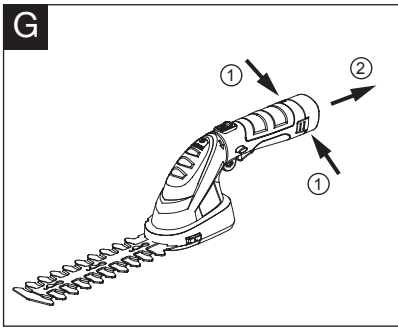
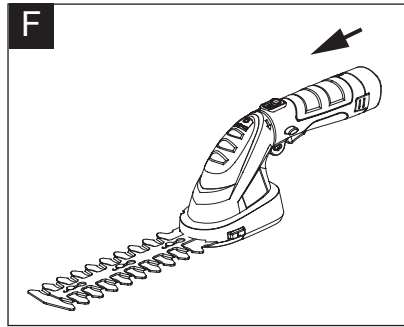
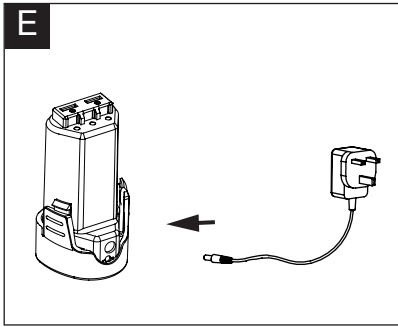
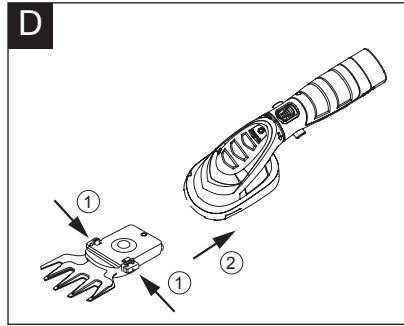
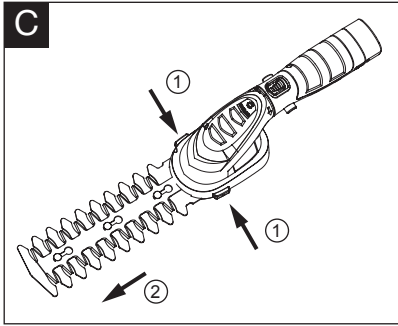
Read this manual carefully prior to assembling and operating the grass shear. It is dangerous to operate this product without being familiar with these instructions. Keep this manual in a safe place and have it ready for future reference.

**A**



**B**





# **YARD FORCE**

## **LH A17 Original Instruction**

### **CONTENT**

Intended use	08
General safety warnings	08
Product safety warnings	09
Symbols	15
Technical data	19
Description of product	20
Installation	21
Operation	22
Maintenance and storage	25
Troubleshooting	27
CE declaration	28

## INTENDED USE

This cordless hedge trimmer is designed for the cutting and trimming of hedges, bushes and ornamental shrubs in the domestic environment.

For safety reasons it is essential to read this entire instruction manual before initial operation and to observe all the instructions inside.

This product is intended for private domestic use only, not for commercial trade use. It must not be used for any purposes other than those described.

## GENERAL SAFETY WARNINGS



**WARNING:** Read all safety directions and instructions.

Omissions in the compliance with safety directions and instructions can cause electrical shock, fire and/or severe injuries.

Retain all safety directions and instructions for future use.

The term “Power Tools” used in the safety instructions refers to mains-operated power tools (with power cord) and to battery operated power tools (without power cord).

### Work area safety

- a). **Keep work area clean and well lit.** Cluttered or dark areas increase the chances of accidents.
- b). **Do not operate power tools in explosive atmospheres, in the presence of flammable liquids, gases or dust.** Power tools create sparks which may ignite the dust or fumes.
- c). **Keep children and bystanders away while operating a power tool.** Distractions can cause momentary loss of control.

## GENERAL SAFETY WARNINGS

### Electrical safety

- a). **Power tool plugs must match the outlet.** Never modify the plug in any way. Do not use any adapter plugs with earthed (grounded) power tools. Unmodified plugs and matching outlets will reduce risk of electric shock.
- b). **Avoid body contact with earthed or grounded surfaces, such as pipes, radiators, ranges and refrigerators.** There is an increased risk of electric shock if your body is earthed or grounded.
- c). **Do not expose power tools to rain or wet conditions.** Water entering a power tool will increase the risk of electric shock.
- d). **Do not abuse the cord.** Never use the cord for carrying, pulling or unplugging the power tool. Keep cord away from heat, oil, sharp edges or moving parts. Damaged or entangled cords increase the risk of electric shock.
- e). **When operating a power tool outdoors, use an extension cord suitable for outdoor use.** Use of a cord suitable for outdoor use reduces the risk of electric shock.
- f). **If operating a power tool in a damp location is unavoidable, use a residual current device (RCD) protected supply.** Use of an RCD reduces the risk of electric shock.

### Personal safety

- a). **Stay alert, watch what you are doing and use common sense when operating a power tool.** Do

## GENERAL SAFETY WARNINGS

not use a power tool while you are tired or under the influence of drugs, alcohol or medication. A moment of inattention while operating power tools may result in serious personal injury.

- b). Use personal protective equipment.** Always wear eye protection. Protective equipment such as dust masks, nonskid safety shoes, hard hats, and hearing protection can reduce personal injury.
- c). Prevent unintentional starting.** Ensure the switch is in the off position before connecting to power source and/or battery pack, picking up or carrying the tool. Carrying power tools with your finger on the switch or energizing power tools that have the switch on invites accidents.
- d). Remove any adjusting key or wrench before turning the power tool on.** A wrench or a key left attached to a rotating part of the power tool may result in personal injury.
- e). Do not overreach.** Keep proper footing and balance at all times. This enables better control of the power tool in unexpected situations.
- f). Dress properly. Do not wear loose clothing or jewellery.** Keep your hair, clothing and gloves away from moving parts. Loose clothes, jewellery or long hair can be caught in moving parts.
- g). If devices are provided for the connection of dust extraction and collection facilities, ensure these are connected and properly used.** The use of dust collection can reduce dust-related hazards.

## GENERAL SAFETY WARNINGS

### Power tool use and care

- a). **Do not use excessive force while using the power tool. Use the correct power tool for your application.** The correct power tool will do the job better and more safely at the rate for which it was designed.
- b). **Do not use the power tool if the switch does not turn it on and off.** Any power tool that cannot be controlled with the switch is dangerous and must be repaired.
- c). **Disconnect the plug from the power source and/ or the battery pack from the power tool before making any adjustments, changing accessories, or storing.** Such preventive safety measures reduce the risk of starting the power tool accidentally.
- d). **Store idle power tools out of the reach of children and do not allow persons unfamiliar with the power tool or these instructions to operate.** Power tools are dangerous in the hands of untrained users.
- e). **Maintain power tools.** Check for misalignment or binding of moving parts, breakage of parts and any other condition that may affect its operation. If damaged, have the power tool repaired before use. Many accidents are caused due to poor maintenance.
- f). **Keep cutting tools sharp and clean.** Properly maintained cutting tools with sharp cutting edges are less likely to bind and are easier to control.
- g). **Use the power tool, accessories and tool bits etc.** in accordance with these instructions, taking into account the working conditions and the work to

## GENERAL SAFETY WARNINGS

be performed. Use of the power tool for operations different from those intended could result in a hazardous situation.

### Battery tool use and care

- a). **Recharge only with the charger specified by the manufacturer.** A charger that is suitable for one type of battery pack may create a risk of fire when used with another battery pack.
- b). **Use power tools only with specifically designated battery packs.** Use of any other battery packs may create a risk of injury and fire.
- c). **When battery pack is not in use, keep it away from other metal objects, like paper clips, coins, keys, nails, screws or other small metal objects, that can make a connection from one terminal to another.** Shorting the battery terminals together may cause burns or a fire.
- d). **Under intensive use, liquid may be ejected from the battery; avoid contact. If contact accidentally occurs, flush with water.** If liquid contacts eyes, additionally seek medical help. Liquid ejected from the battery may cause irritation or burns.

### Service

- a). **Have your power tool serviced by a qualified repair person using only identical replacement parts.** This will ensure that the safety of the power tool is maintained.

## GENERAL SAFETY WARNINGS

### Hedge trimmer safety warnings:

- a). **Keep all parts of the body away from the cutter blade. Do not remove cut material or hold material to be cut when blades are moving.** Make sure the switch is off when clearing jammed debris and material. A moment of inattention while operating the hedge trimmer may result in serious personal injury.
- b). **Carry the hedge trimmer by the handle with the cutter blade stopped.** When transporting or storing the hedge trimmer always fit the cutting device cover. Proper handling of the hedge trimmer will reduce possible personal injury from the cutter blades.
- c). **Keep cable away from cutting area.** During operation the cable may be hidden in shrubs and can be accidentally cut by the blade.

## PRODUCT SAFETY WARNINGS

### Special Safety Directions for cordless mini grass & hedge trimmer

- a). **Keep all body parts away from the blade. Do not attempt to remove clippings while the blade is operating or to hold on to material which is to be cut.** Only remove trapped clippings when the tool is switched off. One moment of carelessness when using the hedge trimmer can lead to severe injury.
- b). **Carry the hedge trimmer at the handle with an idle blade.** Always pull on the protective cover during transport and storage of the hedge trimmer. Careful handling of the tool reduces the risk of injury from the blade.
- c). **Hold the power tool only on the insulated handle surfaces, as the cutting blade may come into contact with concealed power cables.** Contact between the cutting blade and a live cable may render metallic components live and result in an electric shock.
- d). **Before the work, search the hedge for concealed objects, e.g. cable etc.** To avoid damaging the equipment.
- e). **Hold the hedge trimmer correctly, e.g. with both hands on the handles, if there are two handles.** Loss of control of the equipment may result in injuries.
- f). **Wear suitable clothing and work clothes when working with the equipment.** Do not hold the equipment by the cutting blade or lift it on the cutting blade. Contact with the cutting blade can cause injuries.

## PRODUCT SAFETY WARNINGS

### Further safety directions

- a). **Only switch on the tool when hands, feet and all other body parts are at a secure distance to the tool.** Standing too close can increase risk of injury from cuts.
- b). **Take care not to injure your hands and feet with the cutting elements.**
- c). **Remove the power supply unit before working with the equipment.**
- d). **Do not use the hedge cutter in combination with the telescopic shaft.**
- e). **The tool is designed to shape hedges. Do not use the tool to cut branches, hard wood or other.** This helps to avoid damaging the equipment, and also reduce injury to yourself from debris.
- f). **Do not attempt to dislodge a blocked/trapped blade before switching the tool off.** Always make sure the tool is turned off, there is a high risk of injury when the tool is switched on.
- g). **Always switch off the tool and remove the battery (if applicable)**
  - If you leave the tool unsupervised
  - Before removing jams
  - Before control- maintenance- or cleaning tasks
  - If you have come into contact with a foreign object
  - Whenever the machine starts to vibrate uncontrollably.
- h). **Never allow children, persons with reduced physical, sensory or mental capabilities or lack of experience and knowledge or people unfamiliar with these instructions to use the machine. Local**

## PRODUCT SAFETY WARNINGS

- regulations may restrict the age of the operator.
- i). Never operate the machine with defective guards or shields, or without safety devices, or if the cord is damaged or worn.
  - j). Do not connect a damaged cord to the supply or touch a damaged cord before it is disconnected from the supply as damaged cords can lead to contact with live parts.

### **Special safety directions for battery-operated tools**

- a). Do not expose the battery to strong sunlight or a hot environment over a long period of time.** Heat damages the battery and there is a risk of explosion.
- b). Allow a hot battery to cool before charging.**
- c). Do not open up the battery.** Risk of short circuiting, and fumes may be emitted that irritate the respiratory tract. In the case of inhaling, ensure you get fresh air quickly and seek medical assistance in the event of discomfort.

### **Safety directions for the battery charger**

- a). The charger must only be connected to a mains socket via a residual-current circuit breaker (RCD) with a rated leakage current of not more than 30 mA.**
- b). Children should not play with the appliance.** Cleaning and maintenance should not be carried out by children without adult supervision.
- c). To charge the battery, use the charger supplied**

## PRODUCT SAFETY WARNINGS

- only.** Risk of fire and explosion. This ensures that the safety of the device is maintained.
- d). Before each use, check the charger, cable and plug and have them repaired by qualified professionals and only with original parts.** Do not use a defective charger and do not open it up yourself. This ensures that the safety of the device is maintained.
  - e). Ensure that the mains voltage matches the specifications on the charger rating plate.** Risk of electric shock.
  - f). Disconnect the charger from the mains before closing or opening connection to the battery / power tool / device.** This ensures that the battery and charger are not damaged.
  - g). Keep the charger clean and away from wet and rain. Do not use the charger outdoors.** Dirt and water increase the risk of electric shock.
  - h). Operate the charger only with the appropriate original batteries.** Charging other batteries may result in injuries and risk of fire.
  - i). Avoid mechanical damage to the charger.** This can result in internal short circuits.
  - j). Do not operate the charger on a combustible surface (e.g. paper, textiles).** Risk of fire due to heating during charging.
  - k). If the power cable for this equipment is damaged, it must be replaced by the manufacturer, a customer service agent of the same or a similarly qualified person in order to prevent hazards.**
  - l). Do not use the charger to charge non-rechargeable batteries.**

## SYMBOLS

### SAFETY SYMBOLS

The purpose of safety symbols is to alert your attention to possible dangers. The safety symbols and their explanation require your careful attention and full understanding. The symbol warnings do not, by themselves, eliminate any danger. The instructions and warnings they give are no substitutes for proper accident prevention measures.



**WARNING:** Be sure to read and understand all safety instructions in this operator's manual, including all safety alert symbols such as "**DANGER**," "**WARNING**," and "**CAUTION**" before using this tool. Failure to follow all instructions listed below may result in electric shock, fire and/or serious personal injury.

**SAFETY ALERT SYMBOL:** Indicates **DANGER**, **WARNING**, or **CAUTION**. May be used in conjunction with other symbols or pictographs.

### SYMBOL MEANING

This page explains the safety symbols that may appear on this product. Make sure you read, understand and follow all instructions on the machine before attempting to assemble and operate.

## SYMBOLS



Read the user manual before using the machine.



Warning! Danger!



You must always wear safety goggles to guard your eyes from flying debris, ear plugs or similar ear defenders to protect your hearing and respiratory protection to protect breathing.



**IMPORTANT!** Wear gloves to protect your hands.



Wear safety boots to protect your feet.



Guaranteed sound power level value in 92dB.



WEEE symbol. Electrical products should not be disposed of with household waste. Please recycle where facilities exist. Check with your Local Authority or local store for recycling advice.



Batteries contain Li-ion waste. Do not dispose of batteries as unsorted municipal waste with household waste. Check with your Local Authority or local store for recycling advice.



Do not expose the product to rain or wet conditions.

## SYMBOLS



Objects thrown by the product could hit the user or bystanders. Always ensure that other people and pets remain at a safe distance from the product when it is in operation. In general, children must not come near the area where the product is in operation.



Touch parts only then when they are completely stopped.



Caution! Watch for falling objects.



Keep hands away from blades.

### Symbols on the battery pack



Do not dispose of batteries. Return exhausted batteries to your local collection or recycling point.



Do not dispose of a battery pack in water!



Do not set on fire to dispose!

## SYMBOLS



Do not expose the battery pack to sunlight or increased temperatures!



Batteries contain Li-ion waste. Do not dispose of batteries as unsorted municipal waste with household waste. Check with your Local Authority or local store for recycling advice.

### Symbols on the charger



The charger is for indoor use only.



Protection class II.

 Pole orientation.



The product complies with the applicable European directives and an evaluation method of conformity for these directives was undertaken.



SMPS (Switch mode power supply unit) incorporating a short-circuit-proof safety isolating switching power supply.



SMPS(Switch mode power supply unit)



Protective 2A limited

## TECHNICAL DATA

Mower Type	LH A17
Battery voltage	7.2 V d.c. Lithium-Ion
Battery type	ET-D0723(2INR18/65)
Degree of Protection	IPX1
Cutting length (shrub trimming blades)	170mm
Cutting width (grass trimming blades)	93mm
Battery capacity	1.5Ah
Charger type	XZ0900-2000E
Charger input	100-240 A ~ , 50-60Hz 0.8A
Charger output	9V d.c. 2.0 A
Charging time	1h
Protection class of charger	II
Net weight	1.25 kg
Weighted sound pressure (LPA)	76.40 dB K=3 dB(A)
Measured sound power level(LWA)	83.91 dB
Guaranteed sound power level (LWA)	92 dB
Vibration	1.838 m/s <sup>2</sup> K=1.5 m/s <sup>2</sup>

The declared vibration value has been measured in accordance with a standard test method and may be used for comparing one tool with another. The declared vibration value may also be used in a preliminary assessment of exposure.



**WARNING:** The vibration emission value during actual use of the tool can differ from the declared value depending on the ways in which the tool is used. Identify safety measures to protect the operator that are based on an estimation of exposure in the actual conditions of use (taking account of all parts of the operating cycle such as the times when the tool is switched off and when it is running idle in addition to the trigger time).

The sound intensity level for the operator may exceed 85dB(A) and ear protection measures are necessary.

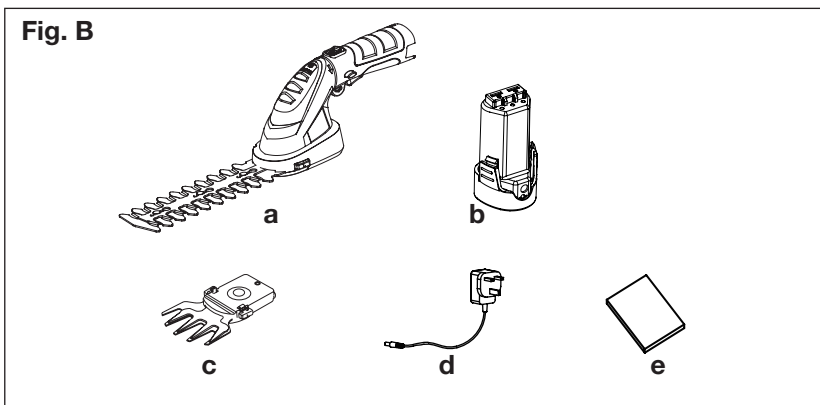
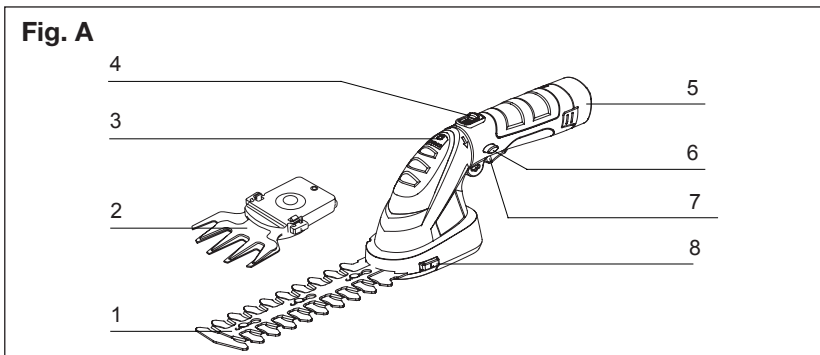
## DESCRIPTION OF PRODUCT

### Parts description (Fig. A)

1. Hedge Trimmer Blade
2. Shear Blade
3. Indicator
4. Rotary push button
5. Battery pack
6. Safety button
7. Start trigger
8. Trimmer working head release button

### Checking the box contents (Fig. B)

- a. Grass shear
- b. Battery pack
- c. Shear Blade
- d. Charger
- e. Manual



## INSTALLATION

### **Uninstall the working head (Fig. C)**

Pinch the working head release button L and R, and then slide the working head out of the machine.

### **Install the working head (Fig. D)**

Pinch the working head release button L and R, and then slide the working head into the machine. Make sure the working head is in fixed position.

## OPERATION

### Charging the battery (Fig. E)

Warning! Do not use other battery chargers.

Observe correct mains voltage, it should be between 110-240V. Do not continue to press the On/ Off switch after the machine has been automatically switched off. The battery can be damaged.

The battery is supplied partially charged. To ensure full capacity of the battery, completely charge the battery in the battery charger before using your power tool for the first time.

1. Connect the battery with charger. The Indicator shows red when normal charging.
2. The Indicator will show green when battery pack has been fully charged.

### Insert the battery (Fig. F)

Insert the battery in to the device; make sure the two hooks are in the right position.

If you want to uninstall the battery pack, pinch the two hooks on the battery pack and then push it out. (Fig. G)

**NOTE:** This unit arrives fully assembled. Remove clear plastic blade guard before use and save it to use as blade guard when unit is not in use.

Battery must be charged before use. Please refer to battery charging instructions.

If the blade becomes jammed on a branch while cutting, immediately release trigger and clear jam. If you continue to hold trigger with the blade jammed, you will damage the motor.

**IMPORTANT:** This is a powerful tool that is remarkably easy and comfortable to use. As such, please pay attention to the blades while using, to avoid cutting yourself.

### Switching on/off (Fig. H)

Warning! Never remove or bridge the switching devices.

The starting lockout prevents your tools from being switched on unintentionally.

#### To switch on:

1. Push lock-off button forward and depress the switch trigger.
2. Release the lock-off button again.

#### To switch off:

Release the on/off switch.

### Adjust the handle (Fig. I)

This device is equipped with a rotary handle that can be adjusted from -90° to 90°.

### Cutting hedges

**NOTICE!** Risk of damage to the unit!

Be especially careful when working near fences! If material such as fence wire should get caught up in the cutting unit then switch off the device immediately.

Risk of environmental damage! Before cutting a hedge, check no birds are nesting.

Trim smoothly with the broad side of the cutting equipment.

Do not push the point into the hedge.

## MAINTENANCE AND STORAGE

### Maintenance

1. Always switch the product off, disconnect the battery pack and let the product cool down before performing inspection, maintenance and cleaning work.
2. Keep the product clean. Remove debris from it after each use and before storage, using a soft damp cloth.
3. Regular and proper cleaning will help ensure safe use and prolong the life of the product.
4. Inspect the product before each use for worn or damaged parts. Do not operate if you find broken or worn parts.

**WARNING!** Only perform repairs and maintenance work according to these instructions. All further works must be performed by a qualified specialist.

### Cleaning

Before cleaning, inspecting or repairing your unit, make sure that the motor has stopped and is cool. Disconnect the battery pack to prevent accidental starting.

Note! To ensure the best performance of your product, it is important to keep it clean. Always clean your 3.6V cordless mini grass & hedge trimmer immediately after use.

Do not allow grass cuttings and other debris to become dry and hard on any of the product surfaces. This will directly affect the cutting performance. Never clean the product with a water jet or high pressure cleaner. The motor must remain dry. Do not use aggressive cleaning agents such as cold cleaner or petroleum ether.

1. Clean the product with a dry cloth. Use a brush for areas that are hard to reach.
2. Oil the cutting tool. Spray oil on all sides of the blades.

**NOTE!** Do not use chemical, alkaline, abrasive or other aggressive detergents or disinfectants to clean this product as they may cause damage to the cosmetic surfaces.

Spare parts/Replacement parts

Plastic blades may be replaced by the consumer. Spare parts are available at an authorised dealer or through our customer service.+44(0)1904 727513

Charger	1905ZA003
Battery pack	1905ZA002
Shear blade	1905ZA004
Hedge trimmer blade	1905ZA005

### Repair

This product does not contain any parts that can be repaired by the consumer other than those covered in the maintenance section.

Contact an authorised service center or a similarly qualified person to have it checked and repaired.

### Transportation

1. Switch the product off and disconnect the battery pack from the machine before transporting it anywhere.

## MAINTENANCE AND STORAGE

2. Attach transportation guards, if applicable.
3. Always transport the product by its handle. When lifting the product use the transportation handle as an aid.
4. Protect the product from any heavy impact or strong vibrations which may occur during transportation in vehicles.
5. Secure the product to prevent it from slipping or falling over.

### Storage

1. Clean the product as described above and disconnect the battery pack.
2. Store the product and its accessories in a dry, frost-free area.
3. Always store the product in a place that is inaccessible to children. The ideal storage temperature is between 10°C and 30°C.
4. We recommend using the original packaging for storage or covering the product with a suitable cloth or enclosure to protect it against dust.

## TROUBLESHOOTING

<b>Fault</b>	<b>Possible cause</b>	<b>Troubleshooting</b>
Mower fails to start	Battery pack discharged?	Charge the battery
	Battery pack defective?	Contact service center
	Is the device defective?	Contact service center

## CE DECLARATION

To the provisions of Council Directives

We  
**SUMEC UK Co.,Ltd.**  
**Unit A&B, Escrick Business Park**  
**Escrick, York YO 19 6FD**

**Declare that the product:**

Machine Description: Cordless mini grass & hedge trimmer  
Machine Type: LH A17/N0E-20ET-7.2  
Function: Cutting grass

**Complies with the essential health and safety requirements of the following directives:**

EC Machinery Directive: 2006/42/EC  
EC Directive of Electromagnetic Compatibility 2014/30/EC  
EC Noise Directive 2000/14/EC & 2005/88/EC  
WEEE Directive (2012/19/EU)  
RoHS Directive (2011/65/EU)

**Standards and technical specification referred to :**

EN 55014-1:2006+A1+A2;  
EN 55014-2:2015;  
EN 60745-2-15:2009+A1;  
EN60745-1:2009+A11;  
EN 50636-2-94:2014;  
EN 60335-1:2012+A11;  
EN ISO 10517:2009+A1;  
EN ISO 12100:2010;  
EN62233:2008

Authorized Signatory

Date: 18.03.2019

Signature: \_\_\_\_\_ *M. Hall*

Place: York

Name: Mariana Hall

General Manager

SUMEC UK

Unit A&B Escrick Business Park

Escrick, York

YO19 6FD

